

piCLASSIC Si32-3



- ▶ Patented COAX® technology inside – the most energy efficient ejector technology.
- ▶ The Si cartridge offers extra vacuum flow.
- ▶ Suitable for handling porous materials or if leakage is present.
- ▶ Large capacity range, available with 1 to 6 COAX® Si32 three-stage cartridges.
- ▶ Can easily be upgraded with more capacity if needed.
- ▶ Low-weight, configurable and modular design.
- ▶ Easy disassembly for maintenance.

Technical data

Description	Unit	Value
Feed pressure, optimum	MPa	0.60
Feed pressure, max.	MPa	0.7
Max. vacuum	-kPa	75
Internal volume, vacuum chamber, 1-2 cartridges	cm ³	140
Internal volume, vacuum chamber, 3-4 cartridges	cm ³	246
Internal volume, vacuum chamber, 5-6 cartridges	cm ³	353
Noise level at 40 -kPa & optimal feed pressure	dB(A)	66-77
Temperature range	°C	-10-80
Materials		PA, Al, SS, NBR (FKM), CuZn

Technical data, specific

Weight	Value (g)
1-2 cartridges	500-550
3-4 cartridges	720-790
5-6 cartridges	795-875
Silencer	120
Vacuum gauge	5

Vacuum flow at recommended feed pressure (0.6 MPa)

COAX® cartridge	Air consumption NI/s	Vacuum flow (NI/s) at different vacuum levels (-kPa)							
		0	10	20	30	40	50	60	70
Si32-3 x1	1.75	6.00	3.50	2.60	1.70	0.90	0.60	0.50	0.35
Si32-3 x2	3.50	12.0	7.00	5.20	3.40	1.80	1.20	1.00	0.70
Si32-3 x3	5.25	18.0	10.5	7.80	5.10	2.70	1.80	1.50	1.10
Si32-3 x4	7.00	24.0	14.0	10.4	6.80	3.60	2.40	2.00	1.40
Si32-3 x5	8.75	25.5	15.8	12.4	8.50	4.50	3.00	2.50	2.10
Si32-3 x6	10.5	28.8	17.9	14.8	10.2	5.40	3.60	3.00	2.20

Evacuation time at recommended feed pressure (0.6 MPa)

COAX® cartridge	Air consumption NI/s	Evacuation time (s/l) to reach different vacuum levels (-kPa)							
		10	20	30	40	50	60	70	
Si32-3 x1	1.75	0.02	0.05	0.10	0.18	0.33	0.53	0.80	
Si32-3 x2	3.50	0.01	0.025	0.05	0.09	0.17	0.27	0.40	
Si32-3 x3	5.25	0.007	0.017	0.033	0.06	0.11	0.18	0.27	
Si32-3 x4	7.00	0.005	0.013	0.025	0.045	0.083	0.13	0.20	
Si32-3 x5	8.75	0.004	0.01	0.02	0.036	0.066	0.11	0.16	
Si32-3 x6	10.5	0.003	0.008	0.017	0.03	0.055	0.09	0.13	

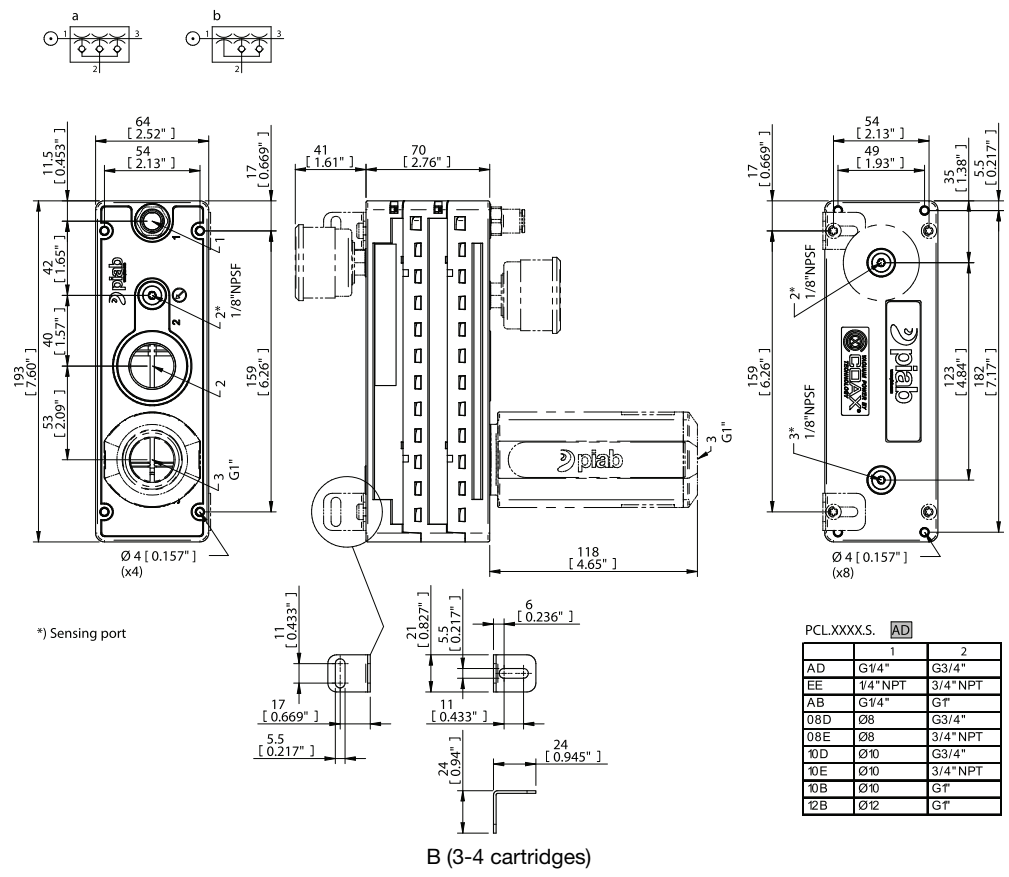
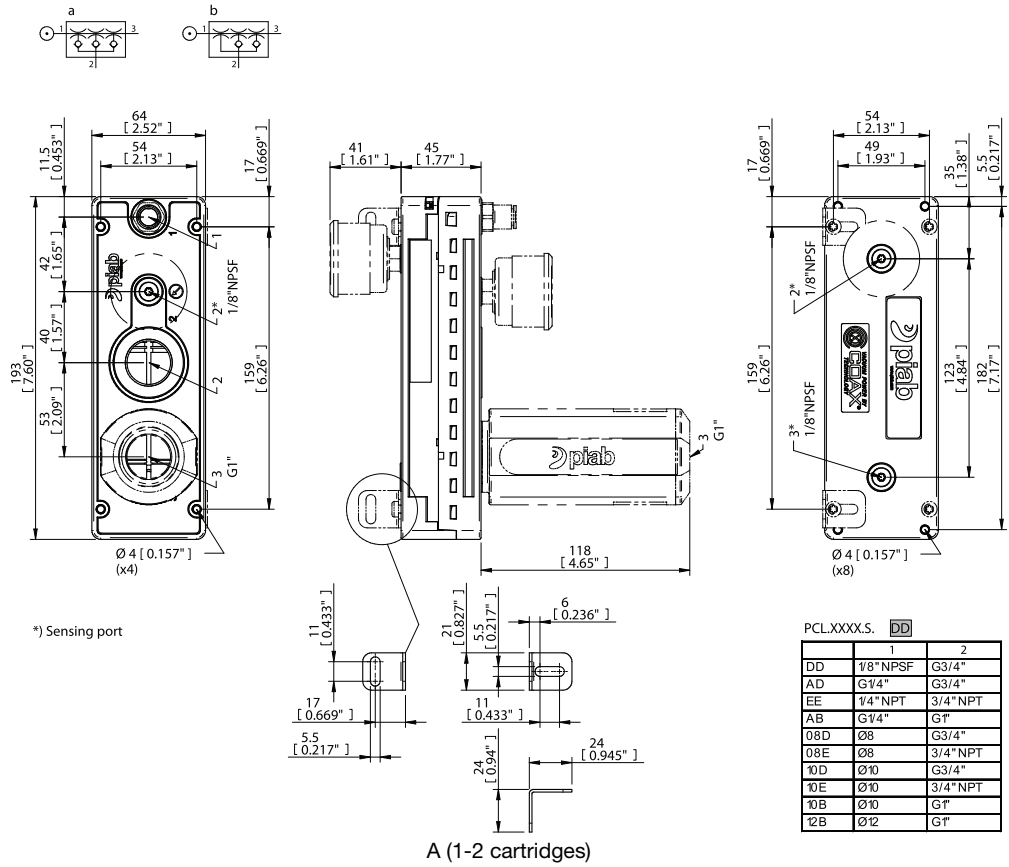
Ordering information

1. Housing		piCLASSIC Code
Housing		PCL
2a. COAX® cartridge modules		piCLASSIC Code
A	COAX® cartridge module Si32-3x1	S1
A	COAX® cartridge module Si32-3x2	S2
B	COAX® cartridge module Si32-3x3	S3
B	COAX® cartridge module Si32-3x4	S4
C	COAX® cartridge module Si32-3x5	S5
C	COAX® cartridge module Si32-3x6	S6
2b. Valve Configuration		piCLASSIC Code
a	Standard	B
b	Non-return valve	A
2c. Sealing material		piCLASSIC Code
Nitrile		N
Viton		V
3. Function		piCLASSIC Code
Standard		S
4a. Compressed air connection		piCLASSIC Code
G1/4" female		A
1/4" NPT female		E
1/8" NPSF (G) female		D
*Push-in 8 mm (5/32")-1/4" female		08
*Push-in 10 mm-3/8" female		10
*Push-in 12 mm-3/8" female		12
<i>*Compressed air push-in connector included separately.</i>		
4b. Vacuum connection		piCLASSIC Code
G3/4" female		D
3/4" NPT female		E
G1" female		B
5. Accessory		piCLASSIC Code
None		X
Silencer G1" male		S
Vacuum gauge		V
Silencer G1" male & vacuum gauge		SV
Example		Ordering number
piCLASSIC Si32-3x1, Standard Valve, Nitrile Sealing, Function Standard, Connections Comp. Air G1/4" female--Vacuum G3/4" female, Silencer G1" male & vacuum gauge		PCL.S1BN.S.AD.SV

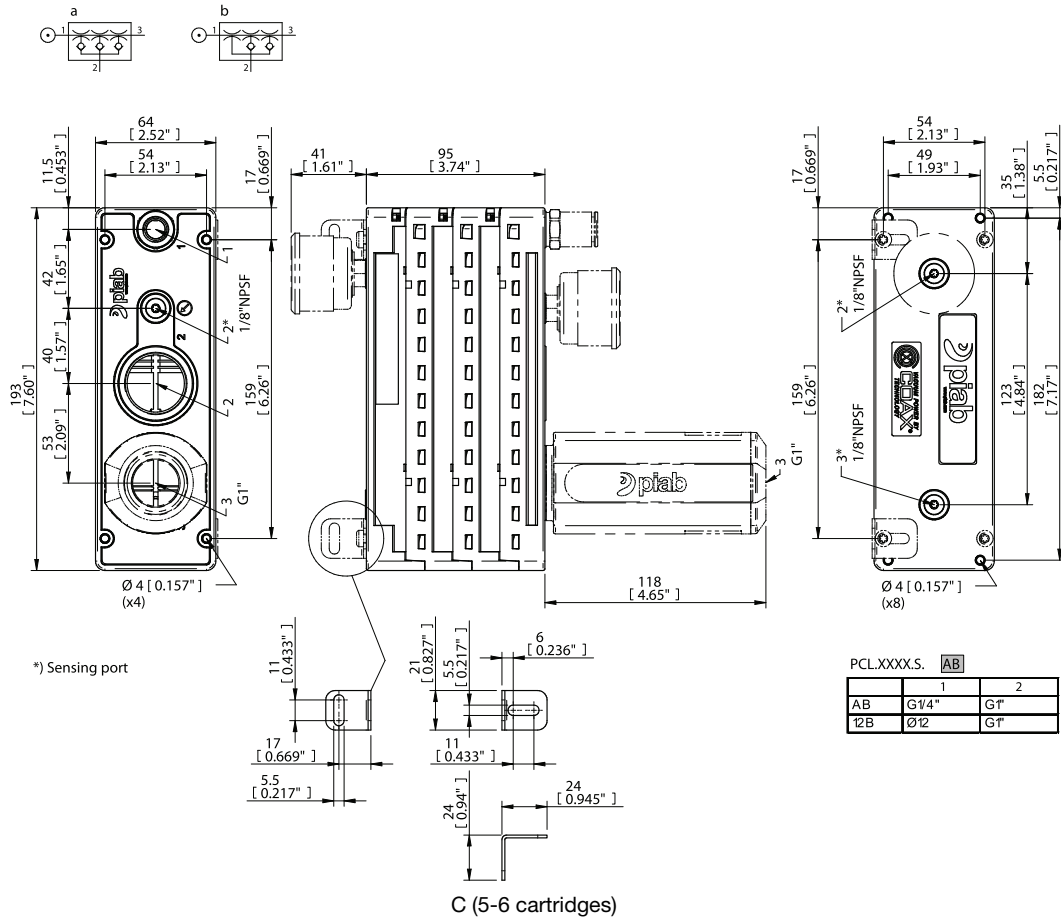
Vacuum pumps/generators Medium



Dimensional drawing for piCLASSIC Si32-3



Dimensional drawing for piCLASSIC Si32-3



Crossover Classic to piCLASSIC

Classic Art No.	Classic Code No.	piCLASSIC Code No.
0102117	L25B6ADN	PCL.S1BN.S.08D.SV
0102119	L50B6ADN	PCL.S2BN.S.08D.SV
0102121	L100B6ADN	PCL.S3BN.S.08D.SV
0102025	L25B6-DN	PCL.S1BN.S.DD.SV
0102027	L50B6-DN	PCL.S2BN.S.DD.SV
0102029	L100B6-DN	PCL.S3BN.S.DD.SV
0102401	L25B6-EN	PCL.S1BN.S.08E.SV
0102403	L50B6-EN	PCL.S2BN.S.08E.SV
0102405	L100B6-EN	PCL.S3BN.S.08E.SV