

P6040



- ▶ Patented COAX® technology.
- ▶ Available with a three-stage COAX® cartridge MIDI. Choose an Si cartridge for extra vacuum flow, a Pi cartridge for high performance at low feed pressure or an Xi cartridge when high flow and deep vacuum is needed.
- ▶ Substantially lower air consumption.
- ▶ Modular design for flexible performance.
- ▶ Compact and durable with no moving parts.

Technical data

| Description | Unit | Value |
|--------------------|------|----------------------------|
| Feed pressure, max | MPa | 0.7 |
| Noise level | dBA | 57-76 |
| Temperature range | °C | -10-80 |
| Weight | g | 4300-5600 |
| Material | | Al, PA, NBR, SS, POM, HDPE |

Vacuum flow

| COAX® cartridge | Feed pressure MPa | Air consumption NI/s | Vacuum flow (NI/s) at different vacuum levels (-kPa) | | | | | | | | | | Max vacuum -kPa |
|-----------------|-------------------|----------------------|--|-----|-----|-----|------|------|------|------|------|------|-----------------|
| | | | 0 | 10 | 20 | 30 | 40 | 50 | 60 | 70 | 80 | 90 | |
| Pi48-3 | 0.30 | 2.0 | 5.6 | 2.5 | 1.8 | 1.1 | 0.65 | 0.50 | 0.35 | 0.25 | 0.10 | — | 90/53* |
| Si32-3 | 0.60 | 1.75 | 6.0 | 3.5 | 2.6 | 1.7 | 0.90 | 0.60 | 0.50 | 0.35 | — | — | 75/52* |
| Xi40-3 | 0.45 | 1.83 | 5.9 | 3.0 | 2.0 | 1.3 | 0.73 | 0.58 | 0.43 | 0.32 | 0.18 | 0.03 | 95/51* |

Values for one COAX® cartridge. Multiply with number of cartridges. For vacuum flows at other feed pressures, see section Vacuum cartridges/integration.

* COAX® cartridge module, 1x flap valve

Evacuation time

| COAX® cartridge | Feed pressure MPa | Air consumption NI/s | Evacuation time (s/l) to reach different vacuum levels (-kPa) | | | | | | | | | | Max vacuum -kPa |
|-----------------|-------------------|----------------------|---|-------|------|------|------|------|------|-----|-----|--------|-----------------|
| | | | 10 | 20 | 30 | 40 | 50 | 60 | 70 | 80 | 90 | | |
| Pi48-3 | 0.30 | 2.0 | 0.020 | 0.060 | 0.12 | 0.25 | 0.45 | 0.70 | 1.0 | 1.6 | 4.0 | 90/53* | |
| Si32-3 | 0.60 | 1.75 | 0.020 | 0.050 | 0.10 | 0.18 | 0.33 | 0.53 | 0.80 | — | — | 75/52* | |
| Xi40-3 | 0.45 | 1.83 | 0.022 | 0.062 | 0.12 | 0.22 | 0.37 | 0.57 | 0.84 | 1.2 | 2.2 | 95/51* | |

Values for one COAX® cartridge. Divide with number of cartridges. For evacuation times at other feed pressures, see section Vacuum cartridges/integration.

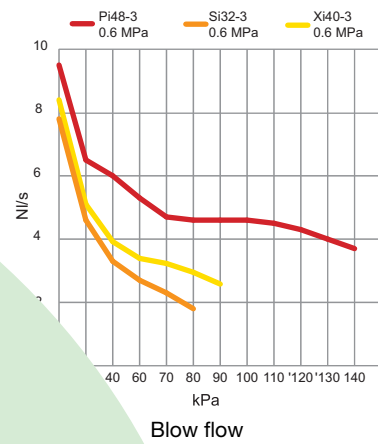
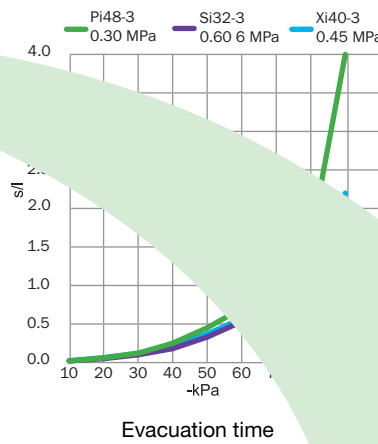
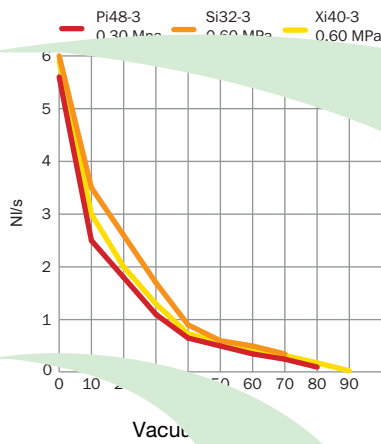
* COAX® cartridge module, 1x flap valve

Blow flow

| COAX® cartridge | Feed pressure MPa | Air consumption NI/s | Blow flow (NI/s) at different pressure levels (kPa) | | | | | | | | | | | | Max pressure kPa |
|-----------------|-------------------|----------------------|---|-----|------|------|------|------|------|-----|-----|-----|-----|-----|------------------|
| | | | 0 | 20 | 40 | 60 | 70 | 80 | 90 | 100 | 110 | 120 | 130 | 140 | |
| Pi48-3 | 0.6 | 3.55 | 9.5 | 6.5 | 6.0 | 5.3 | 4.7 | 4.6 | 4.6 | 4.6 | 4.5 | 4.3 | 4.0 | 3.7 | 140 |
| Si32-3 | 0.6 | 1.75 | 7.8 | 4.6 | 3.3 | 2.7 | 2.3 | 1.8 | — | — | — | — | — | — | 80 |
| Xi40-3 | 0.6 | 2.33 | 8.4 | 5.1 | 3.92 | 3.39 | 3.23 | 2.95 | 2.58 | — | — | — | — | — | 90 |

Values for one COAX® cartridge. Multiply with number of cartridges.

Large



Ordering information

| 1. Housing | | P6040 Code |
|-----------------------|--|------------|
| Housing P6040 | | P6040 |
| 2. Select Application | | P6040 Code |
| P6040 Blow | | B |
| P6040 Vacuum | | V |
| 3. COAX® | | P6040 Code |
| a | COAX® cartridge module Pi48-3X5 | AA |
| a | COAX® cartridge module Pi48-3X6 | AB |
| e | COAX® cartridge module Pi48-3X7 | AC |
| e | COAX® cartridge module Pi48-3X8 | AD |
| a | COAX® cartridge module Pi48-3X9 | AE |
| a | COAX® cartridge module Pi48-3X10 | AF |
| a | COAX® cartridge module Pi48-3X11 | AG |
| a | COAX® cartridge module Pi48-3X12 | AH |
| a | COAX® cartridge module Pi48-3X13 | AI |
| a | COAX® cartridge module Pi48-3X14 | AJ |
| a | COAX® cartridge module Pi48-3X15 | AK |
| a | COAX® cartridge module Pi48-3X16 | AL |
| b | COAX® cartridge module Pi48-3X5, non-return valve | AM |
| b | COAX® cartridge module Pi48-3X6, non-return valve | AN |
| b | COAX® cartridge module Pi48-3X7, non-return valve | AO |
| b | COAX® cartridge module Pi48-3X8, non-return valve | AP |
| b | COAX® cartridge module Pi48-3X9, non-return valve | AQ |
| b | COAX® cartridge module Pi48-3X10, non-return valve | AR |
| b | COAX® cartridge module Pi48-3X11, non-return valve | AS |
| b | COAX® cartridge module Pi48-3X12, non-return valve | AT |
| b | COAX® cartridge module Pi48-3X13, non-return valve | AU |
| b | COAX® cartridge module Pi48-3X14, non-return valve | AV |
| b | COAX® cartridge module Pi48-3X15, non-return valve | AW |
| b | COAX® cartridge module Pi48-3X16, non-return valve | AX |
| | | AY |
| | | AZ |
| | | BA |
| | | BB |
| | | BC |
| | | BD |
| | | BE |
| | | BF |
| | | BG |
| | | BH |
| | | BI |
| | | BJ |
| | | BK |
| | | BL |
| | | BM |
| a | COAX® cartridge module Si32-3X7 | BN |
| a | COAX® cartridge module Si32-3X8 | |

| | 3. COAX® cartridge modules | P6040 Code |
|---|--|-------------------|
| a | COAX® cartridge module Si32-3X9 | BO |
| a | COAX® cartridge module Si32-3X10 | BP |
| a | COAX® cartridge module Si32-3X11 | BQ |
| a | COAX® cartridge module Si32-3X12 | BR |
| a | COAX® cartridge module Si32-3X13 | BS |
| a | COAX® cartridge module Si32-3X14 | BT |
| a | COAX® cartridge module Si32-3X15 | BU |
| a | COAX® cartridge module Si32-3X16 | BV |
| b | COAX® cartridge module Si32-3X5, non-return valve | BW |
| b | COAX® cartridge module Si32-3X6, non-return valve | BX |
| b | COAX® cartridge module Si32-3X7, non-return valve | BY |
| b | COAX® cartridge module Si32-3X8, non-return valve | BZ |
| b | COAX® cartridge module Si32-3X9, non-return valve | CA |
| b | COAX® cartridge module Si32-3X10, non-return valve | CB |
| b | COAX® cartridge module Si32-3X11, non-return valve | CC |
| b | COAX® cartridge module Si32-3X12, non-return valve | CD |
| b | COAX® cartridge module Si32-3X13, non-return valve | CE |
| b | COAX® cartridge module Si32-3X14, non-return valve | CF |
| b | COAX® cartridge module Si32-3X15, non-return valve | CG |
| b | COAX® cartridge module Si32-3X16, non-return valve | CH |
| c | COAX® cartridge module Si32-3X5, 1x flap valve | CI |
| c | COAX® cartridge module Si32-3X6, 1x flap valve | CJ |
| c | COAX® cartridge module Si32-3X7, 1x flap valve | CK |
| c | COAX® cartridge module Si32-3X8, 1x flap valve | CL |
| c | COAX® cartridge module Si32-3X9, 1x flap valve | CM |
| c | COAX® cartridge module Si32-3X10, 1x flap valve | CN |
| c | COAX® cartridge module Si32-3X11, 1x flap valve | CO |
| c | COAX® cartridge module Si32-3X12, 1x flap valve | CP |
| c | COAX® cartridge module Si32-3X13, 1x flap valve | CQ |
| c | COAX® cartridge module Si32-3X14, 1x flap valve | CR |
| c | COAX® cartridge module Si32-3X15, 1x flap valve | CS |
| c | COAX® cartridge module Si32-3X16, 1x flap valve | CT |
| a | COAX® cartridge module Xi40-3X5 | CU |
| a | COAX® cartridge module Xi40-3X6 | CV |
| a | COAX® cartridge module Xi40-3X7 | CW |
| a | COAX® cartridge module Xi40-3X8 | CX |
| a | COAX® cartridge module Xi40-3X9 | CY |
| a | COAX® cartridge module Xi40-3X10 | CZ |
| a | COAX® cartridge module Xi40-3X11 | DA |
| a | COAX® cartridge module Xi40-3X12 | DB |
| a | COAX® cartridge module Xi40-3X13 | DC |
| a | COAX® cartridge module Xi40-3X14 | DD |
| a | COAX® cartridge module Xi40-3X15 | DE |
| a | COAX® cartridge module Xi40-3X16 | DF |
| b | COAX® cartridge module Xi40-3X5, non-return valve | DG |
| b | COAX® cartridge module Xi40-3X6, non-return valve | DH |
| b | COAX® cartridge module Xi40-3X7, non-return valve | DI |
| b | COAX® cartridge module Xi40-3X8, non-return valve | DJ |
| b | COAX® cartridge module Xi40-3X9, non-return valve | DK |
| b | COAX® cartridge module Xi40-3X10, non-return valve | DL |
| b | COAX® cartridge module Xi40-3X11, non-return valve | DM |
| b | COAX® cartridge module Xi40-3X12, non-return valve | DN |
| b | COAX® cartridge module Xi40-3X13, non-return valve | DO |
| b | COAX® cartridge module Xi40-3X14, non-return valve | DP |
| b | COAX® cartridge module Xi40-3X15, non-return valve | DQ |
| b | COAX® cartridge module Xi40-3X16, non-return valve | DR |
| c | COAX® cartridge module Xi40-3X5, 1x flap valve | DS |
| c | COAX® cartridge module Xi40-3X6, 1x flap valve | DT |
| c | COAX® cartridge module Xi40-3X7, 1x flap valve | DU |
| c | COAX® cartridge module Xi40-3X8, 1x flap valve | DV |
| c | COAX® cartridge module Xi40-3X9, 1x flap valve | DW |
| c | COAX® cartridge module Xi40-3X10, 1x flap valve | DX |
| c | COAX® cartridge module Xi40-3X11, 1x flap valve | DY |
| c | COAX® cartridge module Xi40-3X12, 1x flap valve | DZ |
| c | COAX® cartridge module Xi40-3X13, 1x flap valve | EA |

Large

| 3. COAX® cartridge modules | | P6040 Code |
|----------------------------|---|------------|
| c | COAX® cartridge module Xi40-3X14, 1x flap valve | EB |
| c | COAX® cartridge module Xi40-3X15, 1x flap valve | EC |
| c | COAX® cartridge module Xi40-3X16, 1x flap valve | ED |

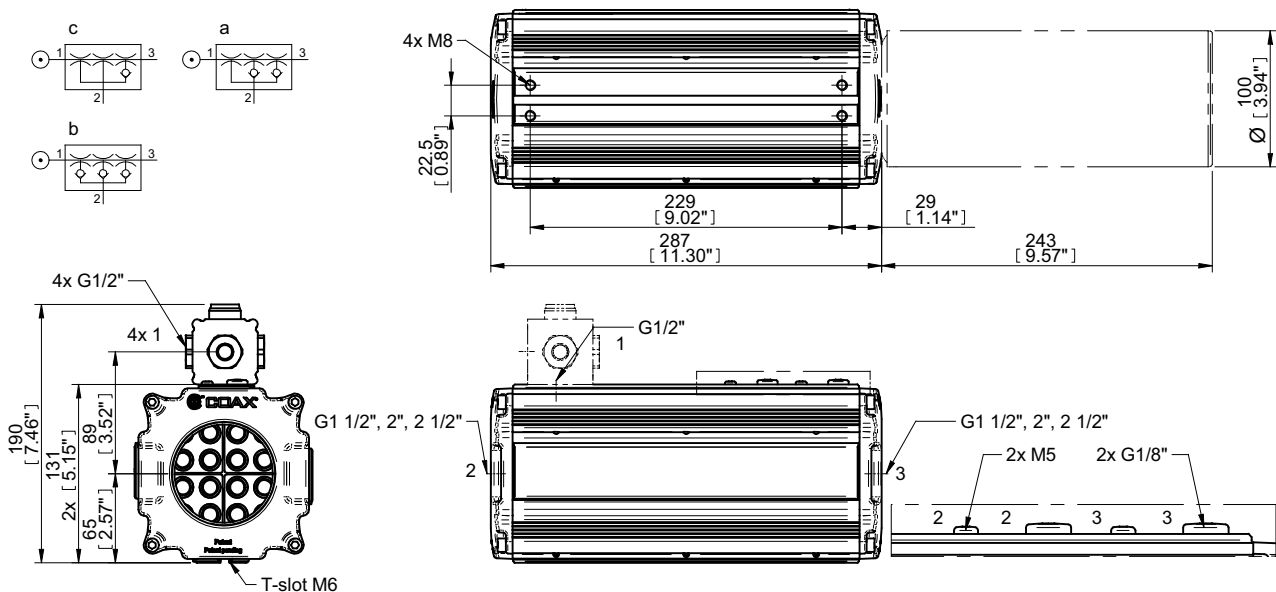
| 4. Mounting | | P6040 Code |
|-------------|--|------------|
| T-slot | | 00 |

| 5. Select Cover plate, function | | P6040 Code |
|---------------------------------|--|------------|
| Connection G1/2" | | AA |
| Connection 4x G1/2" | | AB |
| Function V30 | | AC |
| Function ES Vacuum | | AD |
| Function ES Blow | | AE |

For detailed information on V30, ES Vacuum and ES Blow, see separate datasheets.

| 6. Select Connections for vacuum and blow | | P6040 Code |
|---|--|------------|
| Connection G 1 1/2" | | 00 |
| Connection G 2" | | 01 |
| Connection G 2 1/2" | | 02 |
| Connection G 1 1/2", silencer | | 03 |
| Connection G 2", silencer | | 04 |
| Connection G 2 1/2", silencer | | 05 |
| Connection G 1 1/2", inlet silencer | | 06 |
| Connection G 2", inlet silencer | | 07 |
| Connection G 2 1/2", inlet silencer | | 08 |

| Example | Ordering No. |
|---|---------------------|
| P6040 Vacuum, Pi48-3X5, Mounting T-slot, Cover plate with 4 connections G1/2", Connection G 2 1/2" and silencer | P6040 V AA 00 AB 05 |
| P6040 Vacuum, Pi48-3X5, Mounting T-slot, Cover plate with connection G1/2", Connection G 2 1/2" and silencer | P6040 V AA 00 AA 05 |



Ordering information, accessories

| Description | Art. No. |
|-------------------|----------|
| Manometer 250 kPa | 3101626 |