

# PEM Economy Gauge

## Description & Features:

- Most economical all-purpose pressure gauge
- 1.5" (40mm) to 6" (150mm) sizes
- Friction bezel rings
- Black steel case
- Brass internals
- $\pm 3\%$ - $2\%$ - $3\%$  accuracy

## Application

- Plumbing, heating, air conditioning, pneumatic, hydraulic, water tanks, air compressors, OEM

## Specifications

### Dial Size

1.5" (40mm), 2" (50mm), 2.5"(63mm), 4"(100mm), 6"(150mm)  
white aluminum with black and red markings

### Pressure Range

From vacuum to 0-5000psi (0-345bar)

### Case Material

Steel, painted black (plastic available)

### Lens Material

1.5"(40mm), 2" (50mm) and 2.5"(63mm): polycarbonate  
4"(100mm), 6"(150mm): glass

### Ring Material

1.5" (40mm), 2" (50mm),6"(150mm):  
steel, painted black;  
2.5"(63mm), 4"(100mm): steel, chrome plated

### Pointer

Steel, painted black

### Bourdon Tube

Phosphor bronze

### Movement

Brass

### Socket Material

Brass

### Connection

1/8" NPT, 1/4" NPT standard



### Protection

IP52

### Working Pressure

Maximum 75% of full scale value

### Over-pressure Limit

30% of full scale value

### Ambient Temperature

-40°F to 150°F(-40°C to 65°C)

### Process Temperature

-40°F to 150°F(-40°C to 65°C)

### Accuracy

$\pm 3\%$ - $2\%$ - $3\%$  ANSI/ASME Grade B

### Welding

Silver alloy

### Options

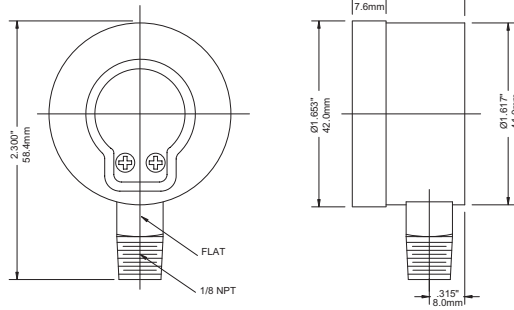
U-Clamp  
Glass Lens  
Maximum adjustable pointer  
Red stationary pointer  
Other ranges and connections

## Order Information

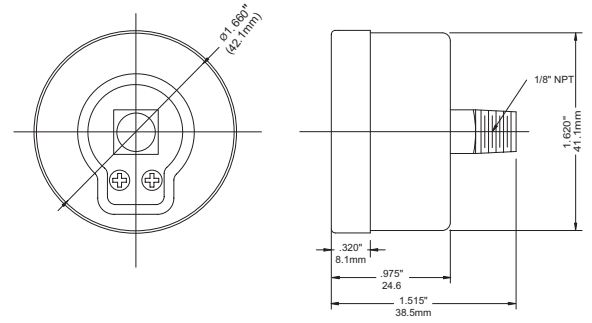
Series/ Dial Size/ Case Materials/ Wetted Parts/ Configuration/ Connection Size/ Thread/ Range/ Option

## Dimensions

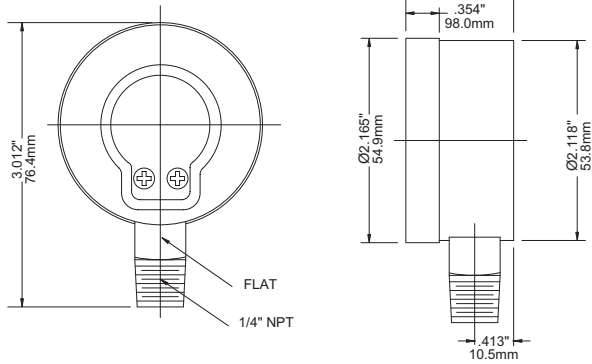
### 1.5" Bottom Connection



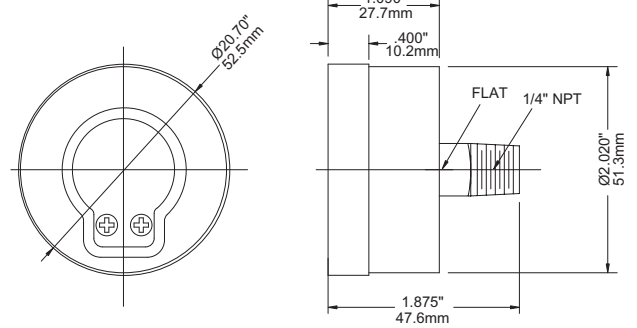
### 1.5" Back Connection



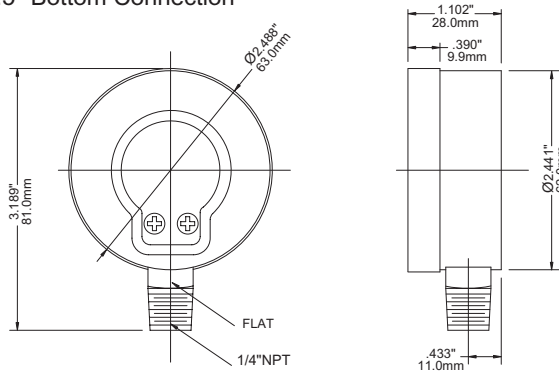
### 2" Bottom Connection



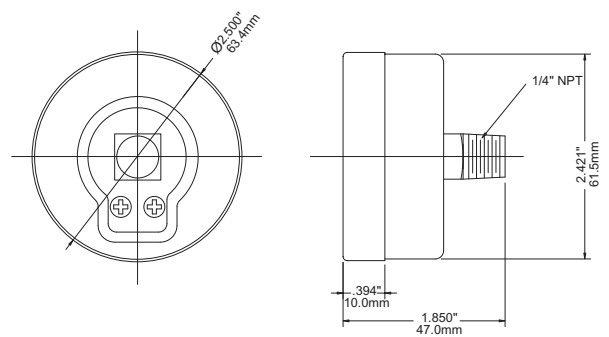
### 2" Back Connection



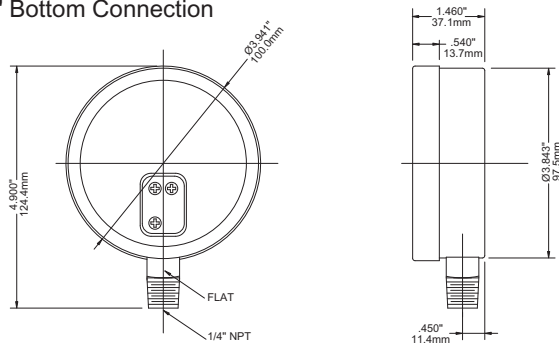
### 2.5" Bottom Connection



### 2.5" Back Connection

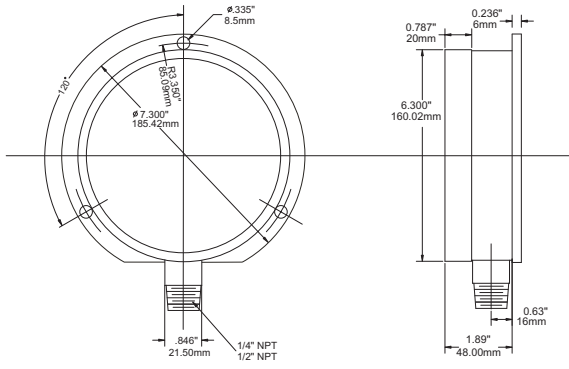


### 4" Bottom Connection



# PEM Economy Gauge

6" Bottom with back flange



6" Bottom Connection

