

Technote: technote_161010_User_instruction_BU_adapter_set

Title: User instruction for the BU adapter set

Product Type: IRB 2600, IRB 4600, IRB 460, IRB 660, IRB 760, IRB 6600, IRB 6620, IRB 6640, IRB 6660, IRB 6650S, IRB 6700, IRB 7600

Year Model: -

Keywords: BU brake release board, BU cable adapter

Author: Stefan Sandell / Kenneth Larsson

Revision: -



User instruction for the BU adapter set.



Warning!

Before handling the BU adapter set please read the safety information in the manual.

The instruction contains parts as shown in the table below.

3HAC058910-001	A	BU cable adapter.	
3HAC16035-1	B	BU brake release board.	Alt. depending on robot type.
3HAC16036-1	B	BU brake release board.	Alt. depending on robot type.
3HAC046642-001	B	BU brake release board.	Alt. depending on robot type.
3HAB7843-12	C	Contact X8.	Included in manipulator cable harness.

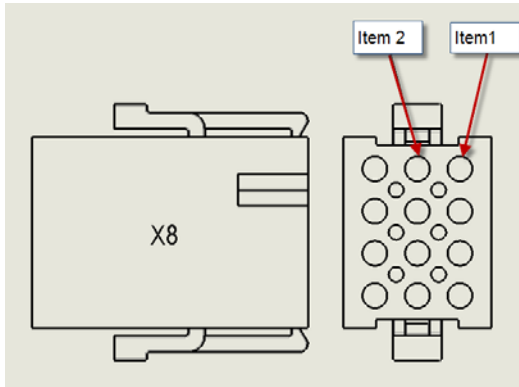
Removing the BU brake release board.

- Read the product manual chapter 4.X.X replacing the brake release unit on how to remove the BU brake release board.

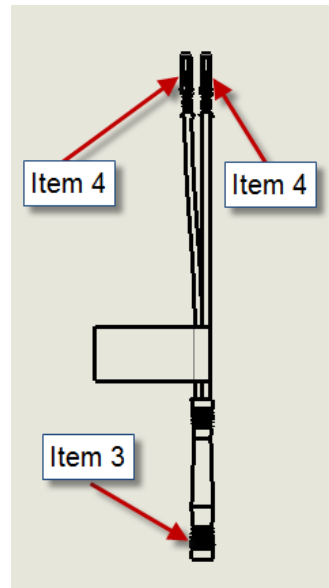
Connecting the BU cable adapter.

If contact X8 C: Item 2 already contains a wire the BU cable adapter A is not used.

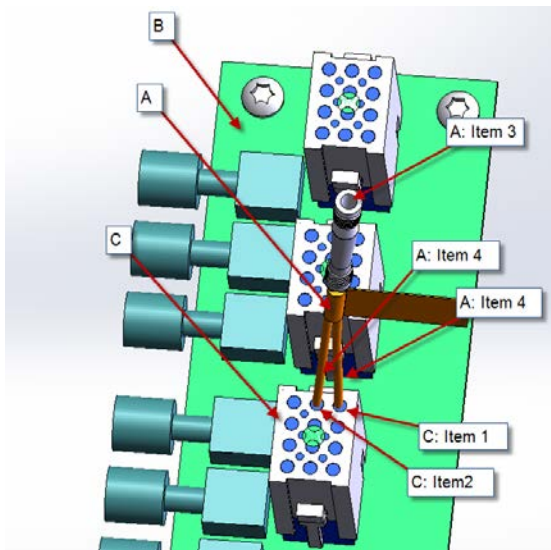
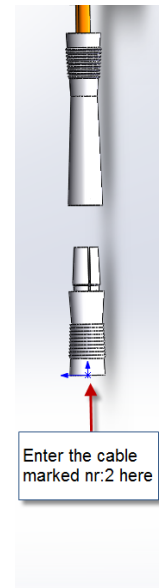
- Remove the wire marked nr:2 on the manipulator harness contact X8 C: Item 1.
- Split the BU cable adapter A: Item 3 and connect the wire marked nr:2 before you
- reconnect the BU cable adapter A: Item 3.



Contact X8 C



BU cable adapter A



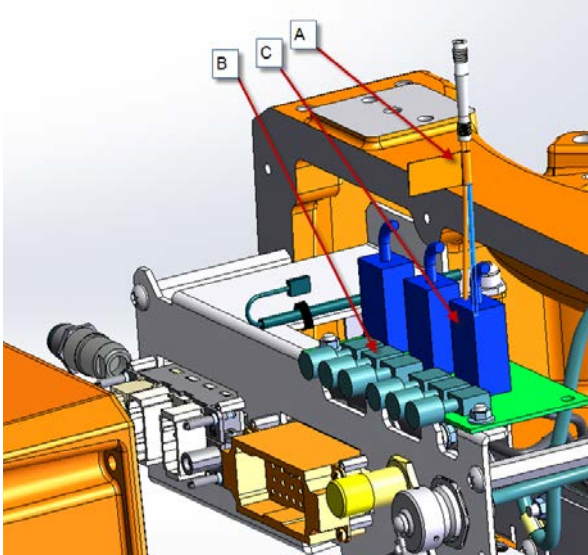
- Connect the BU cable adapter on both A: item 4 to contact X8 C: Item 1 and C: Item 2.

Refitting the BU brake release board.

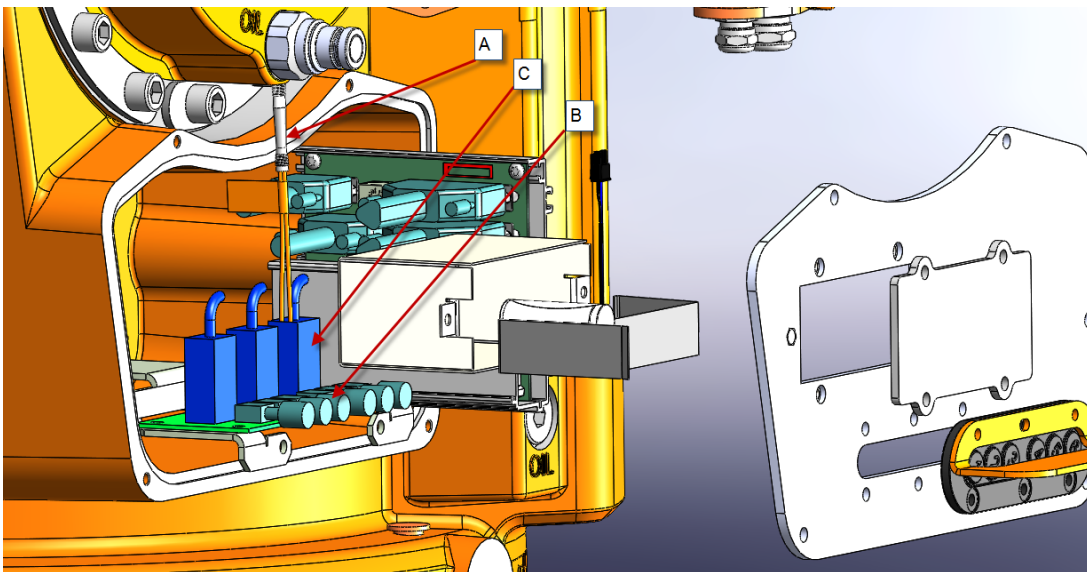
Read the product manual chapter 4.X.X replacing the brake release unit on how to refit the BU brake release board.

Robotypes

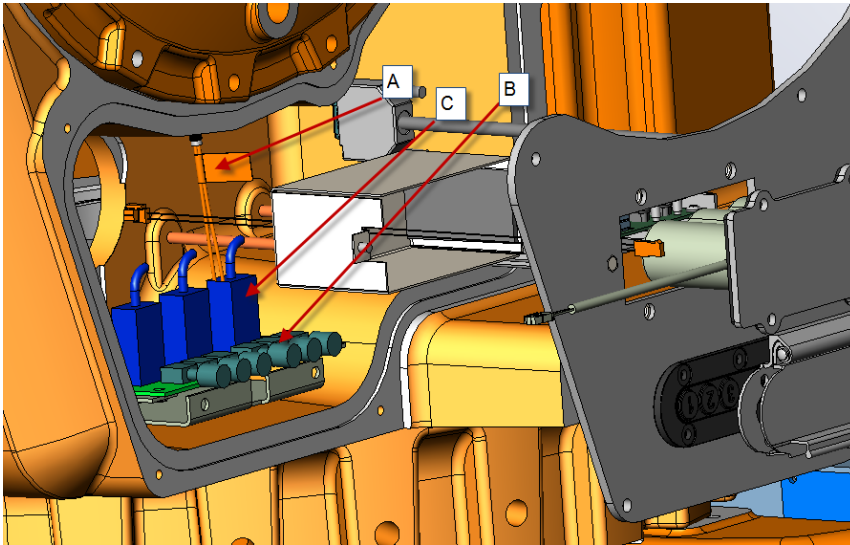
IRB 4600/2600



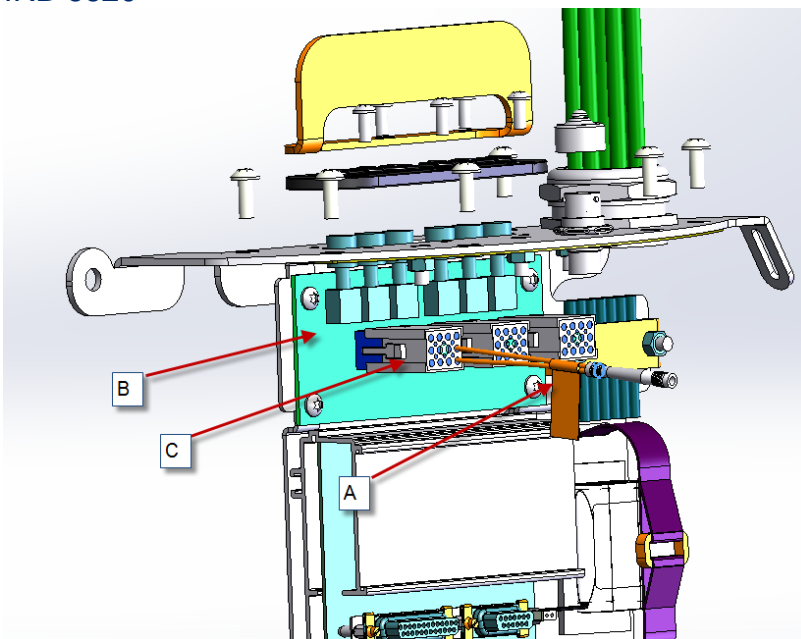
IRB 460



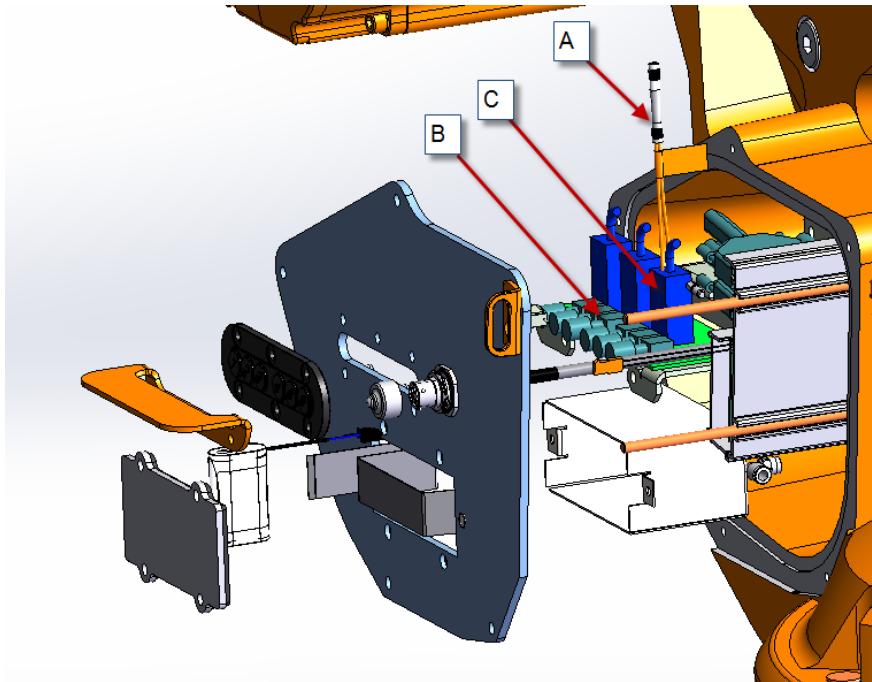
IRB 660



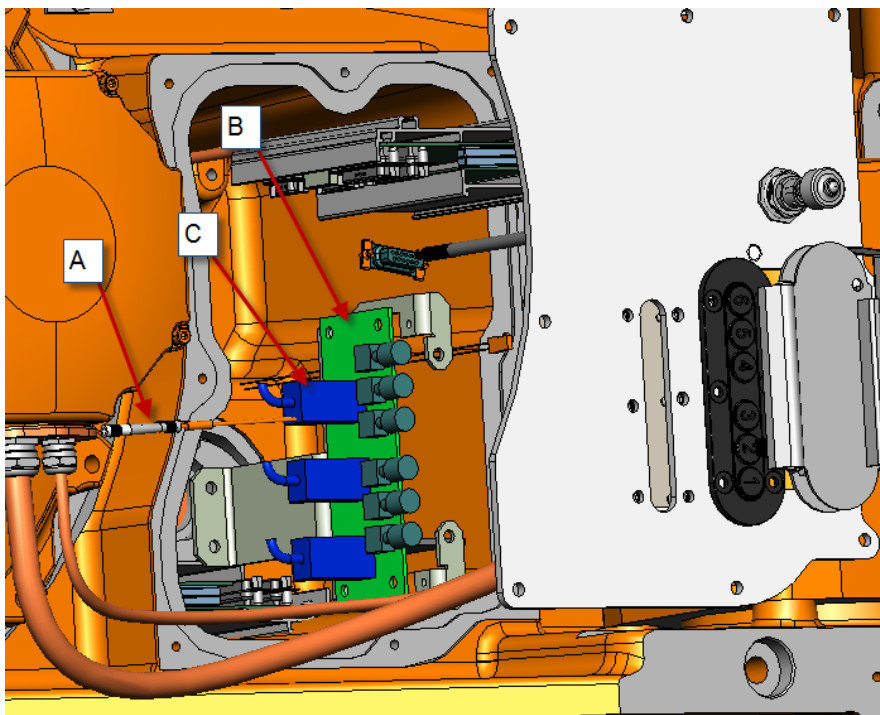
IRB 6620



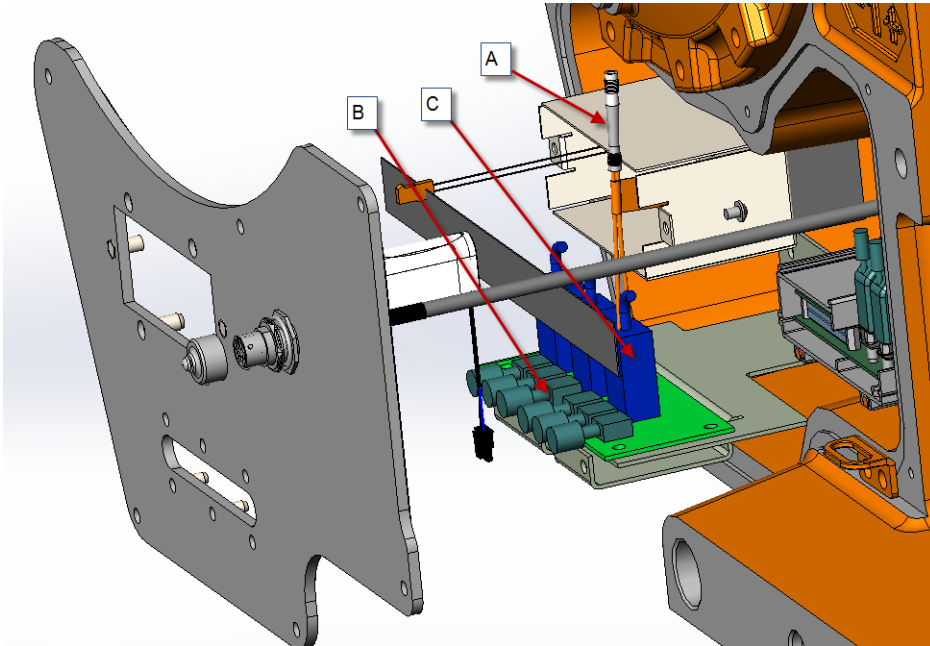
IRB 6640



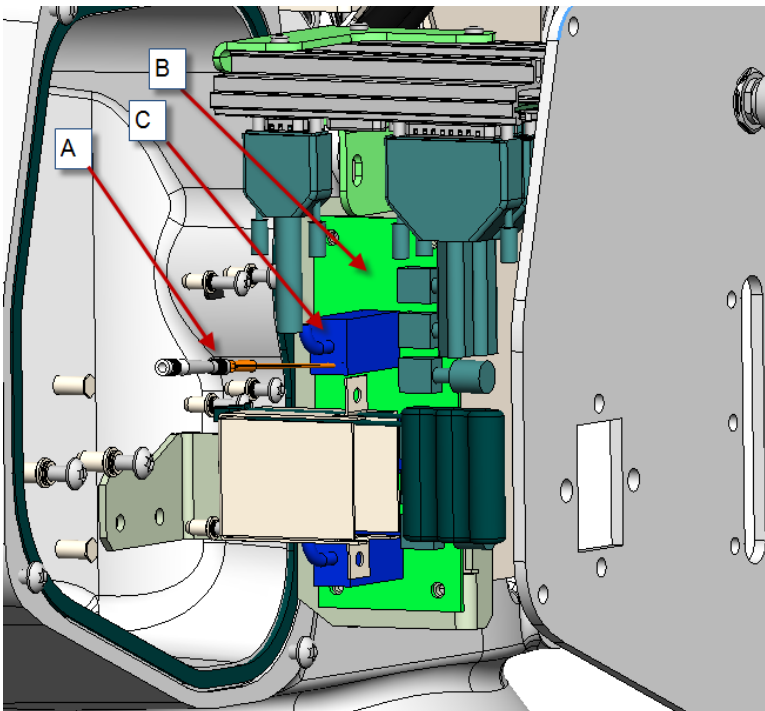
IRB 6650S



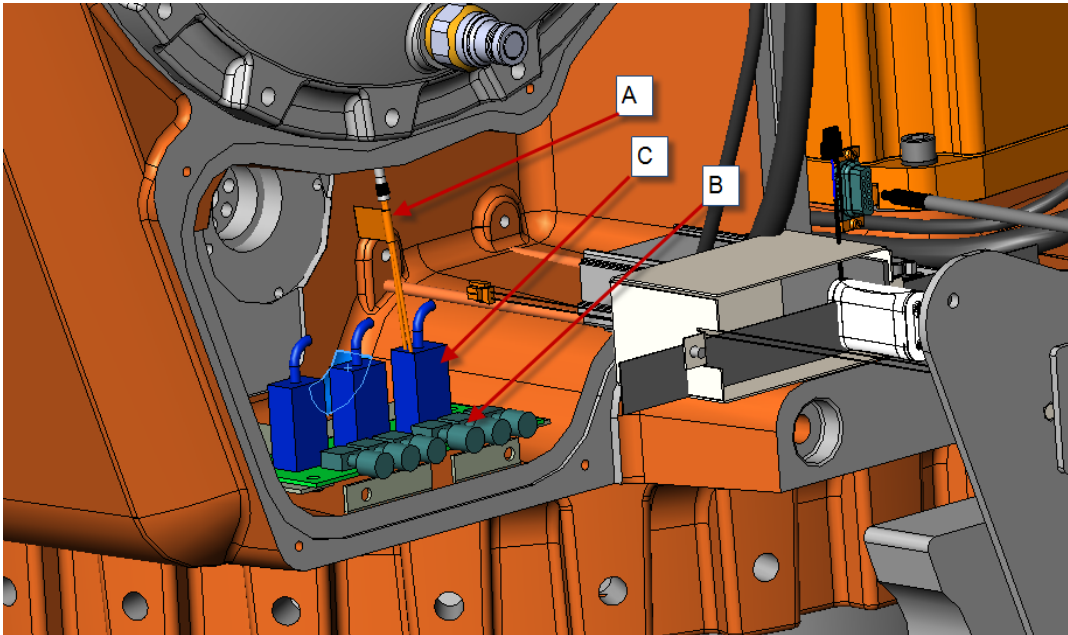
IRB 6660



IRB 6700



IRB 760



IRB 7600/6600

