

SINGLE-ACTING HOLLOW

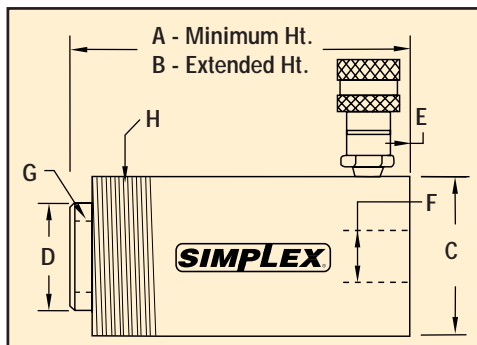
CYLINDERS

Simplex Hard-Kor™ Cylinders Make Light Work Of Structural Reconstruction.



Damage from earthquakes and age, caused the roof of the Mission San Juan Capistrano to be in need of repair. 24 Simplex RC121 cylinders were used to transfer the load, so repairs could be made.

- 12 standard models.
- **HARD-KOR™ DESIGN!**
- No potential leak points at base.
- Extra protection against base blow-out.
- Lower profiles for more versatility.
- Double wipers protect against contamination.
- Faster retraction increases productivity.
- Large center holes for greater flexibility.
- Rhino-Rod™ pistons resist scoring & corrosion.
- Lower operating pressures.
- Doubles as lifting cylinder.
- High flow coupling with tough rubber dust cap.
- Precision construction that prevents seal extrusion.



Base Mounting Holes

Capacity	Thread		Bolt Circle Dia. (in)
	Size (in)	Dpth. (in)	
12 Ton	5/16-18	5/16	2
20 Ton	3/8-16	7/16	3 1/4
30 Ton	3/8-16	3/8	3 5/8
60 Ton	1/2-13	7/16	5 1/8
100 Ton	5/8-11	3/4	7

Optional Threaded Saddles

AS20			AS30		
A	B	C	A	B	C
54	1-8	.38	63	1.25-7	.38

Single-Acting Hollow Cylinders 12 Through 100 Ton Capacities

Model Number	Cap. (tons)	Stroke (in)	A Min. Ht. (in)	B Ext. Ht. (in)	Effect Area (sq in)	Pres. @ Cap. (psi)	Oil Cap. Req'd (cu in)	C Body O.D. (in)	D Piston O.D. (in)	E Base To Port C/L (in)	F Center Hole Dia. (in)	H		G		Wgt. (lbs)							
												Collar Thrds. (in)	Collar Thrd. Lgth. (in)	Piston Thrds. (in)	Piston Thrd. Lgth. (in)								
RC120	12	5/16	2 3/16	2 1/2	2.36	10,185	.90	2 3/4	1 3/8	7/16	49/64	2 3/4 - 16	1 13/16	3/4 - 16	5/8	3.5							
RCQ120														3/4 - 10									
RC121		1 5/8	4 3/4	6 3/8			8.3		4.5	25/32				49/64	3/4 - 16		5/8						
RC1211																		3/4 - 16					
RC123	3	7 1/4	10 1/4	8.64	6,950	64	5	2 1/2	13/16	1 5/16	4 1/2 - 12	1 3/4	1 13/16 - 16	7/8	10								
RC202	20	2	6 3/16	8 3/16	5.30	7,545	11	4	2 1/8	51/64	1 1/16	3 7/8 - 12	1 1/2	1 9/16 - 16	3/4	17							
RC206																	6	11 3/16	17 3/16	32	1 1/2	31	
RC302	30	2 1/2	7	9 1/2			8.64		6,950	22				5	2 1/2		13/16	1 5/16	4 1/2 - 12	1 3/4	1 13/16 - 16	7/8	26
RC306																							
RC603	60	3	8 21/32	11 21/32	14.58	8,230		44		6 3/4	4	1	2 1/8		6 1/4 - 12	2	2 3/4 - 16				3/4	68	
RC606																							
RC1003	100	3	9	12			20.60	9,700	62		8 1/4	5		1			3 1/8	----	----	4 - 16	1		99

CYLINDERS

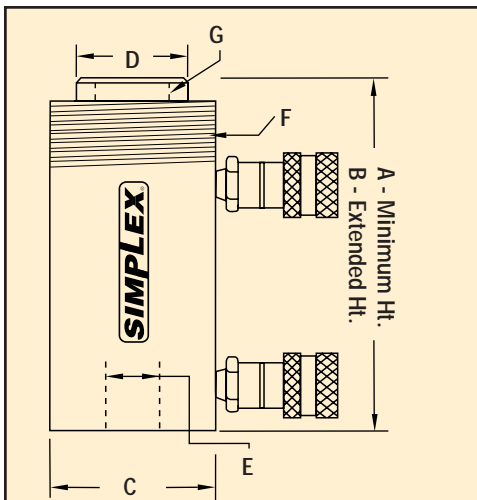
DOUBLE-ACTING HOLLOW

Simplex Hollow Hole Cylinders Raise 6,000 Ton Bridge Span 170 Ft.



Engineers from around the world watched as Simplex hollow hole cylinders raised a 6,000 ton bridge section more than 170 ft. over the Willamette River in Portland, OR. The span was constructed up river and barged into position. Using pull rods and couplings, Simplex RCD200 Series cylinders completed the lift in 40 hours.

- 11 standard models.
- **HARD-KOR™** Design for longer life.
- Relief valves protect against over pressurizing.
- High flow quality couplers.
- Large diameter center holes.
- **Rhino-Rod™** pistons resist scoring & corrosion.
- Stop ring for piston blow-out protection.
- Available in custom strokes.
- Rod wiper protects inner cylinder from dirt.



Base Mounting Holes

Capacity	Thread		Bolt Circle Dia. (in)
	Size (in)	Dpth. (in)	
30 Ton	3/8-16	3/8	3 5/8
60 Ton	1/2-13	7/16	5 1/8
100 Ton	5/8-11	3/4	7

Double-Acting Hollow Hole Cylinders 30 Through 500 Ton Capacities

Model Number	Push Cap. (tons)	Pull Cap. (tons)	Stroke (in)	A		Effect Area (sq in)	Pres. @ Cap. (psi)	Oil Cap. Req'd (cu in)	C Body O.D. (in)	D Piston O.D. (in)	E Center Hole Dia. (in)	F		G		Wgt. (lbs)
				Min. Ht. (in)	Ext. Ht. (in)							Collar Thrds. (in)	Collar Thrd. Lgth. (in)	Piston Thrds. (in)	Piston Thrd. Lgth. (in)	
RCD302	30	30	2	7	9	8.6	6,950	8.6	5	2 1/2	1 5/16	4 1/2 - 12	1 3/4	1 13/16 - 16	7/8	48
RCD307			7	12 1/4	19 1/4			24.75								50
RCD6010	60	45	10	15 1/2	25 1/2	14.5	8,230	55	6 3/4	4	2 1/8	----	----	----	----	95
RCD1001	100	68	1	7	9	20.6	9,700	9.0	8 1/4	5	3 1/8	----	----	----	----	85
RCD1003			3	9	12			21.1				100				
RCD1006			6	12	18			42.3				115				
RCD10010			10	16	26			70.5				150				
RCD1505C	150	----	5	13 1/8	18 1/8	31.60	9,491	78	10	6	3 1/8	----	----	----	----	240
RCD2006C	246	----	6	16 1/4	22 1/4	49.30	10,000	172	12	8	4 1/8	----	----	----	----	385
RCD3006C	434	----		18 3/4	24 3/4	91.50		296	15	9 1/2	4 1/4	----	----	----	----	720
RCD5006C	646	----		21 1/2	27 1/2	129.30		463	17 3/4	12	5 1/4	----	----	----	----	1230

CUSTOM STROKES AND CAPACITIES AVAILABLE, CONTACT FACTORY