



Unmatched Selection

With more than 22,000 different products across 40 industries, Banner offers you the industry's most complete, integrated and advanced line of photo eyes, sensors, wireless sensors, vision sensors, vision lighting, machine safety, and indicator lights.

Extensive Support

Banner has the largest force of application engineers in the industry. Millions of customers count on our highly skilled professionals to solve thousands of the most challenging applications every year.

Global Distribution

Banner has one of the best sales and distribution systems in the industry and a worldwide network comprising more than 3,000 representative and distributor professionals in every major country.

2014-2015

Connector catalog

连接器选型手册

美国邦纳工程国际有限公司

全国技术服务热线: **400-630-6336**

网址: www.bannerengineering.com.cn

邮箱: sensors@bannerengineering.com.cn

The Complete Solution

Banner solves problems for most of the manufacturing companies in the Fortune 500, who rely on innovative automation solutions.

Banner products help manufacture the cars you drive, the TVs you watch, the food you eat, the medicine you take and virtually every product you consume. Whatever the industry, Banner has a solution to help you automate your plants, improve efficiency and manufacture quality products.



Sensors

- Presence
- Absence
- Inspection
- Gating
- Counting
- Measurement
- Position



Vision

- Pattern Recognition
- Complex Part Inspection
- Multi-Component Gauging
- Part ID/Orientation
- Assembly Verification
- Print Verification
- Traceability (Bar Code and Text)



Lighting & Indication

- Bin & Part Picking
- Error Proofing
- Pick-to-Light & Call for Parts
- Visual & Audible Indication
- Operator Guidance
- Andon Indication
- Pilot & Stack Light Replacement
- Visual Management



Wireless

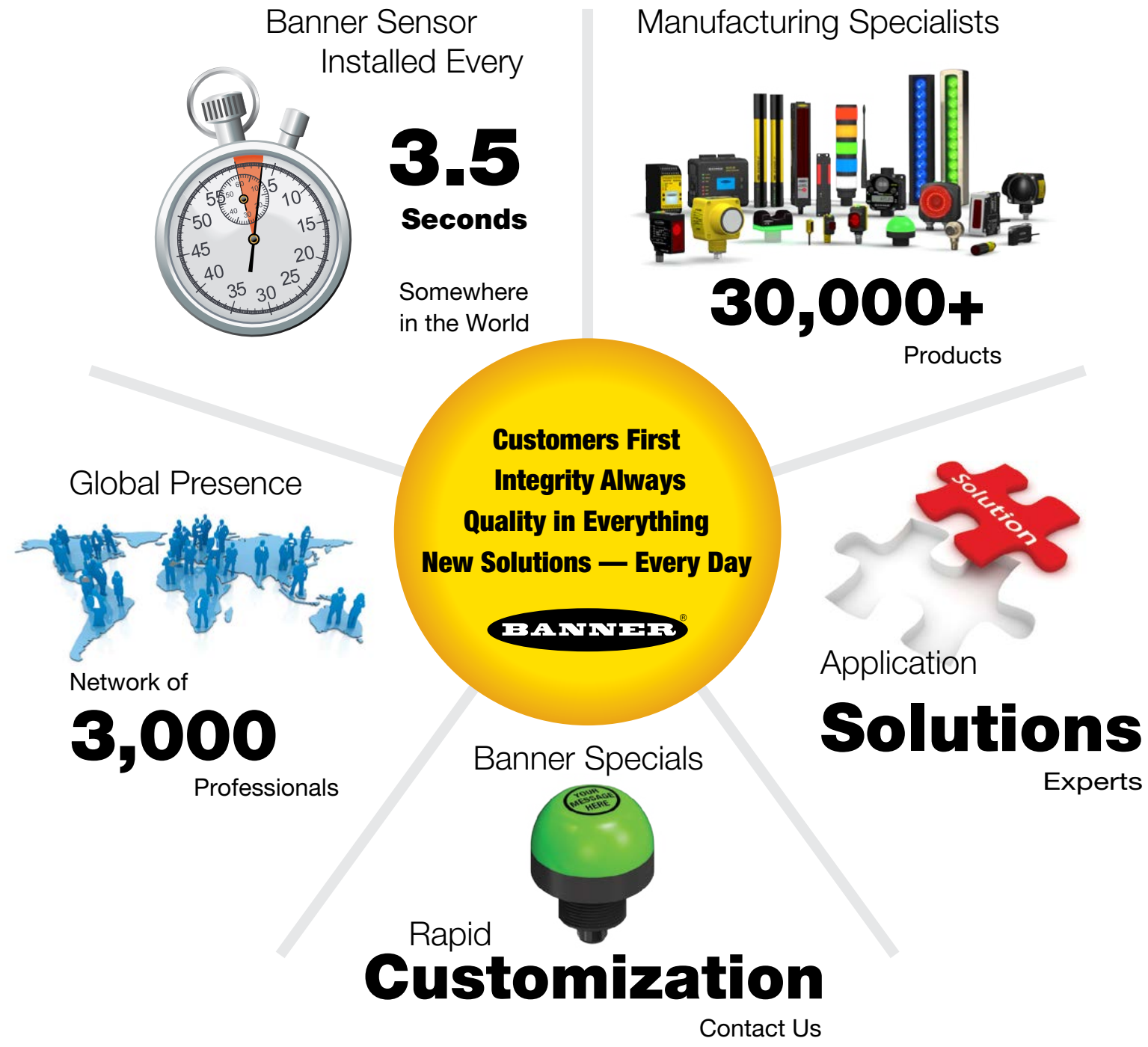
- Process Control & Monitoring
- Factory Automation
- Commercial & Consumer Monitoring
- Agriculture & Water Management
- Traffic Monitoring & Control



Machine Safety

- Safety Light Screens
- Safety Modules & Controllers
- Emergency Stop Devices
- Safety Interlocks
- Ergonomic Two-Hand Control & Run Bars

Who is Banner



3-Pin M8 Euro-style Assembly Connectors

Connector Body: PA66 & GF

Connector Contacts: Brass or phosphor bronze with gold plating

Coding: A

Coupling nut: Brass with nickel plating


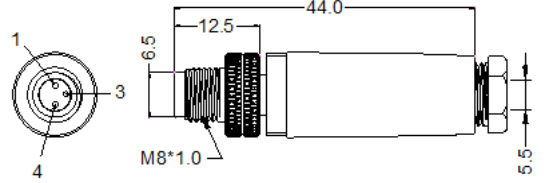

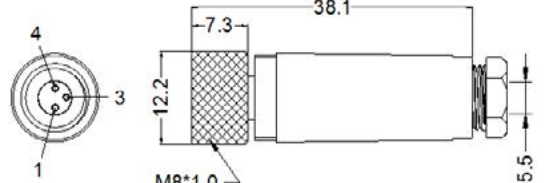
Outer shell: Black PVC

Voltage/Current Rating: 60V ac/dc, 3A

Temperature: -25°C to +85°C

Insulation resistance: $\geq 100M\Omega$

Environment Rating: IP67, IP68

Product	Model	Dimension	Description
	EC-M8M3-PG7		3-pin M8 Male, Straight
	EC-M8F3-PG7		3-pin M8 Female, Straight

4-Pin M8 Euro-style Assembly Connectors

Connector Body: PA66 & GF

Connector Contacts: Brass or phosphor bronze with gold plating

Coding: A

Coupling nut: Brass with nickel plating


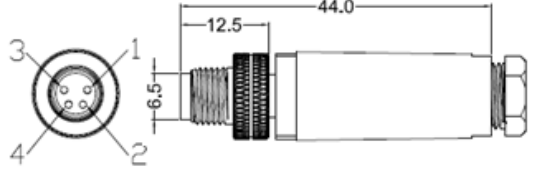

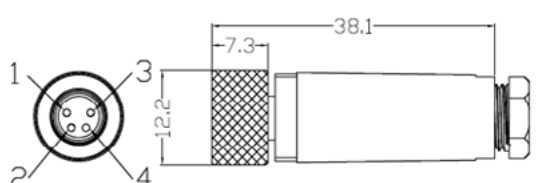
Outer shell: Black PVC

Voltage/Current Rating: 30V ac/dc, 3A

Temperature: -25°C to +85°C


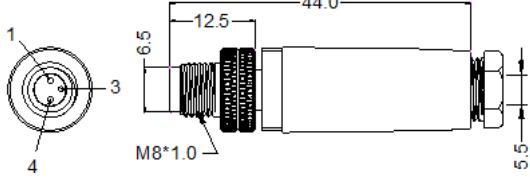

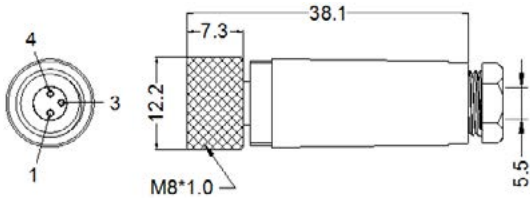
Insulation resistance: $\geq 100M\Omega$

Environment Rating: IP67, IP68

Product	Model	Dimension	Description
	EC-M8M4-PG7		4-pin M8 Male, Straight
	EC-M8F4-PG7		4-pin M8 Female, Straight


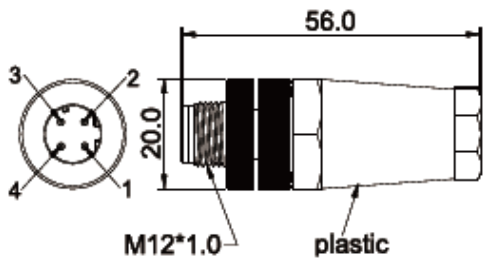

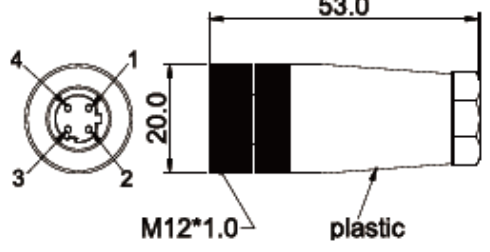

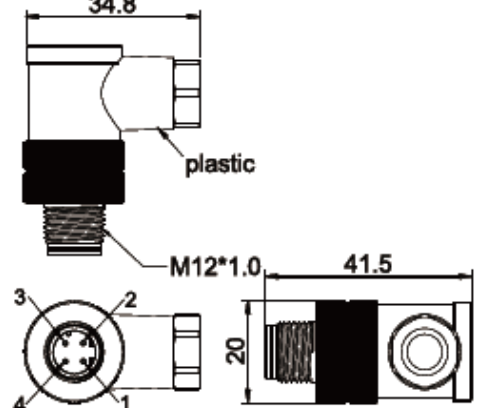
3-Pin M8 Euro-style Assembly Connectors

Connector Body: PA66 & GF
 Connector Contacts: Brass or phosphor bronze with gold plating
 Coding: A
 Coupling nut: Brass with nickel plating
 Outer shell: Black PVC
 Voltage/Current Rating: 60V ac/dc, 3A
 Temperature: -25°C to +85°C
 Insulation resistance: ≥100MΩ
 Environment Rating: IP67, IP68

Product	Model	Dimension	Description
	EC-M8M3-PG7		3-pin M8 Male, Straight
	EC-M8F3-PG7		3-pin M8 Female, Straight

4-Pin M12 Euro-style Assembly Connectors

Connector Body: PA66 & GF
 Connector Contacts: Brass or phosphor bronze with gold plating
 Coding: A
 Coupling nut: Brass with nickel plating
 Outer shell: Black PVC
 Voltage/Current Rating: 250V ac/dc, 4A
 Temperature: -25°C to +85°C
 Insulation resistance: ≥100MΩ
 Environment Rating: IP67, IP68

Product	Model	Dimension	Description
	EC-M12M4-PG7 EC-M12M4-PG9		4-pin M12 Male, Straight
	EC-M12F4-PG7 EC-M12F4-PG9		4-pin M12 Female, Straight
	EC-M12M4A-PG7 EC-M12M4A-PG9		4-pin M12 Male, Right-Angle

	<p>EC-M12F4A-PG7 EC-M12F4A-PG9</p>		<p>4-pin M12 Female, Right-Angle</p>
--	--	--	--

5-Pin M12 Euro-style Assembly Connectors

Connector Body: PA66 & GF
 Connector Contacts: Brass or phosphor bronze with gold plating
 Coding: A
 Coupling nut: Brass with nickel plating
 Outer shell: Black PVC
 Voltage/Current Rating: 60V ac/dc, 4A
 Temperature: -25°C to +85°C
 Insulation resistance: ≥100MΩ
 Environment Rating: IP67, IP68

Product	Model	Dimension	Description
	<p>EC-M12M5-PG7 EC-M12M5-PG9</p>		<p>5-pin M12 Male, Straight</p>
	<p>EC-M12F5-PG7 EC-M12F5-PG9</p>		<p>5-pin M12 Female, Straight</p>
	<p>EC-M12M5A-PG7 EC-M12M5A-PG9</p>		<p>5-pin M12 Male, Right-Angle</p>

	<p>EC-M12F5A-PG7 EC-M12F5A-PG9</p>		<p>5-pin M12 Female, Right-Angle</p>
--	--	--	--

8-Pin M12 Euro-style Assembly Connectors

Connector Body: PA66 & GF
 Connector Contacts: Brass or phosphor bronze with gold plating
 Coding: A
 Coupling nut: Brass with nickel plating
 Outer shell: Black PVC
 Voltage/Current Rating: 30V ac/dc, 2A
 Temperature: -25°C to +85°C
 Insulation resistance: ≥100MΩ
 Environment Rating: IP67, IP68

Product	Model	Dimension	Description
	<p>EC-M12M8-PG7 EC-M12M8-PG9</p>		<p>8-pin M12 Male, Straight</p>
	<p>EC-M12F8-PG7 EC-M12F8-PG9</p>		<p>8-pin M12 Female, Straight</p>
	<p>EC-M12M8A-PG7 EC-M12M8A-PG9</p>		<p>8-pin M12 Male, Right-Angle</p>
	<p>EC-M12F8A-PG7 EC-M12F8A-PG9</p>		<p>8-pin M12 Female, Right-Angle</p>

3-Pin Threaded M8/Pico-Style Cordsets

Cable: PVC jacket, PUR (polyurethane) connector body, nickel-plated brass coupling nut
Conductors: 24 AWG, gold-plated contacts
Voltage/Current Rating: 125 V ac/dc, 4.0 A
Temperature: -40° to +105° C **Environmental Rating:** IP67

Style	Length	Model	Cable Diameter	Dimensions (mm)	Pinout	Used With
Straight	2.00 m	PKG3M-2	4.40 mm		Female 1 = Brown 3 = Blue 4 = Black	<ul style="list-style-type: none"> • Q12 • T8 • SB12 • VSM • VS1 • VS2 • VS3 • SLM • IP68 Sealed Ring Lights (nickel-plated) • On-Axis Lights
	5.00 m	PKG3M-5				
	7.00 m	PKG3M-7				
	9.00 m	PKG3M-9				
	10.0 m	PKG3M-10				
Right-Angle	2.00 m	PKW3M-2	4.40 mm		Female 1 = Brown 3 = Blue 4 = Black	<ul style="list-style-type: none"> • IP68 Sealed Ring Lights (nickel-plated) • On-Axis Lights
	5.00 m	PKW3M-5				
	9.00 m	PKW3M-9				

3-Pin Threaded M8/Pico-Style Cordsets

Cable: PVC jacket and connector body, stainless steel coupling nut
Conductors: 24 AWG, gold-plated contacts
Voltage/Current Rating: 125 V ac/dc, 4.0 A
Temperature: -40° to +90° C **Environmental Rating:** IP67

Style	Length	Model	Cable Diameter	Dimensions (mm)	Pinout	Used With
Straight	4.00 m	PKG3M-4	4.40 mm		Female 1 = Brown 3 = Blue 4 = Black	<ul style="list-style-type: none"> • IP68 Sealed Ring Lights (stainless steel)
	7.00 m	PKG3M-7				
	10.0 m	PKG3M-10				

3-Pin Threaded/Snap M8/Pico-Style Cordsets—Double Ended

Cable: PVC jacket, PUR (polyurethane) connector body, nickel-plated brass (female) and nylon/nickel-plated brass (male) coupling nuts
Conductors: 24 AWG, gold-plated contacts
Voltage/Current Rating: 125 V ac/dc, 4.0 A
Temperature: -40° to +105° C **Environmental Rating:** IP67

Style	Length	Model	Cable Diameter	Dimensions (mm)	Pinout	Used With
Straight	0.35 m	PKG3M-35-PSG3M	4.40 mm		Female Male 1 = Brown 3 = Blue 4 = Black	<ul style="list-style-type: none"> • IP68 Sealed P4 (connect IP68 Sealed Ring Light to P4)
	2.00 m	PKG3M-2-PSG3M				

3-Pin Threaded M8/Pico-Style Splitter Cordset—Flat Junction

Cable: PVC jacket, PUR (polyurethane) connector body, nickel-plated brass (female) and nylon/nickel-plated brass (male) coupling nuts
Conductors: 24 AWG, gold-plated contacts
Voltage/Current Rating: 125 V ac/dc, 4.0 A
Temperature: -40° to +105° C **Environmental Rating:** IP67
Wiring: Parallel wired Y-cords

Connections					
Model	Branches	Trunk	Cable Diameter	Pinout	Used With
CSB-M831M831	3-Pin Pico QD 2 x 0.20 m Female	0.20 m Male	4.40 mm	Female Male 1 = Brown 3 = Blue 4 = Black	<ul style="list-style-type: none"> • Connect P4 to two lights • Spot Lights • Area Lights • Backlights
Dimensions (mm)					

3-Pin M8/Pico-Style and 4-Pin M12/Euro-Style to Flying Leads Splitter Cordset—Flat Junction

Cable: PVC jacket, PUR (polyurethane) connector body, nickel-plated brass coupling nut
Conductors: 24 AWG (3-pin) or 22 AWG (4-pin), gold-plated contacts
Voltage/Current Rating: 250 V ac/300 V dc, 4.0 A
Temperature: -40° to +105° C **Environmental Rating:** IP67

Connections					
Model	Branches	Trunk	Cable Diameter	Pinout	Used With
CSB-UNT213M831F1241	3-Pin Pico QD 0.3 m Male 4-pin Euro QD 0.3 m Female	Flying Leads 4 m	4.40 mm (branches) 5.50 mm (trunk)	Female 1=Brown 2=White 3=Blue 4=Black Male 1 = NC 3 = Blue 4 = Black	<ul style="list-style-type: none"> • P4 to High Intensity Area Lights (to strobe from P4)
Dimensions (mm)					

4-Pin Snap-on M8/Pico-Style Cordsets

Cable: PVC jacket, PUR (polyurethane) connector body, nylon coupling nut
 Conductors: 26 AWG, gold-plated contacts
 Voltage/Current Rating: 125 V ac/dc, 2.0 A
 Temperature: -40° to +90° C Environmental Rating: IP67

Style	Length	Model	Cable Diameter	Dimensions (mm)	Pinout	Used With
Straight	2.00 m	PKG4-2	3.20 mm		Female 1 = Brown 2 = White 3 = Blue 4 = Black	<ul style="list-style-type: none"> • QS18 (Integral or Pigtail) • Q20 (Integral or Pigtail) • D12 • D10A • DF-G1 • S12
Right-Angle	2.00 m	PKW4Z-2	3.20 mm		Female 1 = Brown 2 = White 3 = Blue 4 = Black	

4-Pin Snap-On M8/Pico-Style Cordsets with Shield

Cable: PVC jacket, PUR (polyurethane) connector body, nylon or PUR coupling nut
 Conductors: 26 AWG (shielded), gold-plated contacts
 Voltage/Current Rating: 125 V ac/dc, 2.0 A
 Temperature: -40° to +90° C Environmental Rating: IP67

Style	Length	Model	Cable Diameter	Dimensions (mm)	Pinout	Used With
Straight	2.00 m	PKG4S-2	4.40 mm		Female 1 = Brown 2 = White 3 = Blue 4 = Black	• QS18U
Right-Angle	2.00 m	PKW4ZS-2	4.40 mm		Female 1 = Brown 2 = White 3 = Blue 4 = Black	

4-Pin Threaded M8/Pico-Style Cordsets

Cable: PVC jacket, PUR (polyurethane) body, nickel-plated brass coupling nut
 Conductors: 26 AWG, gold-plated contacts
 Voltage/Current Rating: 125 V ac/dc, 2.0 A
 Temperature: -40° to +105° C Environmental Rating: IP67

Style	Length	Model	Cable Diameter	Dimensions (mm)	Pinout	Used With
Straight	2.00 m	PKG4M-2	3.80 mm		Female 1 = Brown 2 = White 3 = Blue 4 = Black	<ul style="list-style-type: none"> • Q12 • QS18 (Pigtail) • Q20 (Pigtail) • S12 • QMH26 • Q26 • D12 • DF-G1
	5.00 m	PKG4M-5				
	9.00 m	PKG4M-9				
Right-Angle	2.00 m	PKW4M-2	4.30 mm		Female 1 = Brown 2 = White 3 = Blue 4 = Black	
	5.00 m	PKW4M-5				
	9.00 m	PKW4M-9				

4-Pin Threaded M8/Pico-Style to USB Cordsets with Shield – Double Ended

Cable: PVC jacket, PUR (polyurethane) connector body, nickel-plated brass coupling nut on Pico QD end
 Conductors: 28 AWG and 24 AWG, gold-plated contacts
 Voltage/Current Rating: 60V ac/75V dc, 2.0 A
 Temperature: -40° to +105° C Environmental Rating: IP67

Style	Length	Model	Cable Diameter	Dimensions (mm)	Pinout	Used With
Straight Pico QD/USB	0.15 m	PSG-4M-4005-USB	4.80 mm		USB 1 = Red 3 = Green 2 = White 4 = Black	<ul style="list-style-type: none"> • iVu TG & BCR — Remote Touch Screen models • iVu Plus
	0.30 m	PSG-4M-401-USB				
	0.91 m	PSG-4M-403-USB				
	3.05 m	PSG-4M-410-USB				
	4.88 m	PSG-4M-416-USB				
					Male 1 = Red 3 = Black 2 = White 4 = Green	

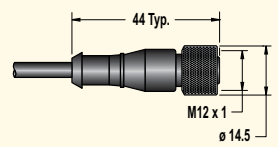
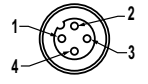
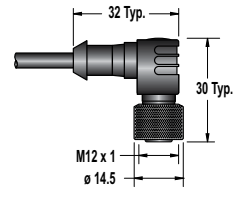
6-Pin Snap-On M8/Pico-Style Cordsets

Cable: PVC jacket, PUR (polyurethane) connector body, nylon or PUR coupling nut
 Conductors: 26 AWG (shielded), gold-plated contacts
 Voltage/Current Rating: 125V ac/dc, 2.0 A
 Temperature: -40° to +90° C Environmental Rating: IP67

Style	Length	Model	Cable Diameter	Dimensions (mm)	Pinout	Used With
Straight	2.00 m	PKG6Z-2	4.70 mm		Female 1 = Brown 2 = White 3 = Blue 4 = Black 5 = Gray 6 = Pink	• D10
	9.00 m	PKG6Z-9				
Right-Angle	2.00 m	PKW6Z-2	4.70 mm		Female 1 = Brown 2 = White 3 = Blue 4 = Black 5 = Gray 6 = Pink	
	9.00 m	PKW6Z-9				

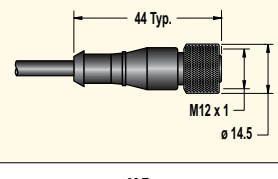
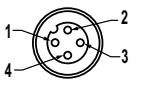
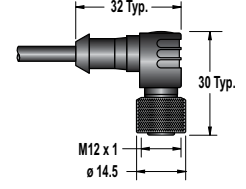
4-Pin Threaded M12/Euro-Style Cordsets

Cable: PVC jacket, PUR (polyurethane) connector body, nickel-plated brass coupling nut
 Conductors: 22 AWG, gold-plated contacts
 Voltage/Current Rating: 250V ac/dc, 4.0 A
 Temperature: -40° to +105° C Environmental Rating: IP67/IP69K

Style	Length	Model	Cable Diameter	Dimensions (mm)	Pinout	Used With
Straight	1.83 m	MQDC-406	5.20 mm			<ul style="list-style-type: none"> • Q12 • M12 • QS18 • Q20 • OMNI-BEAM (QDH suffix) • Q45 dc sensors (Q5 suffix) • MINI-BEAM dc SM312 sensors • S18, M18, T18, Q25, S30, T30, Q40 • TM18/TM18 Expert • QM42/QMT42 • QL50/QL51 • SLM • R58A • T18U • TL50/TL30F • K50 • K80 • PVA/PVL • VTB • STB with solid-state relay • EZ-LIGHT • WL50 • WLS28-2 • QM26 • Q26 • DF-G1 • WLA • WLC60/WLC90 • E-Stops w/ Q4 suffix
	4.57 m	MQDC-415				
	9.14 m	MQDC-430				
	15.2 m	MQDC-450				
Right-Angle	1.83 m	MQDC-406RA	5.20 mm		<ul style="list-style-type: none"> 1 = Brown 2 = White 3 = Blue 4 = Black 	
	4.57 m	MQDC-415RA				
	9.14 m	MQDC-430RA				
	15.2 m	MQDC-450RA				

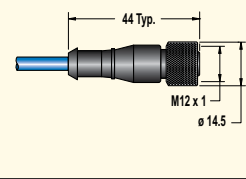
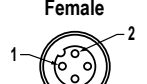
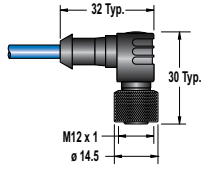
4-Pin Threaded M12/Euro-Style Cordsets with Shield

Cable: PVC jacket, PUR (polyurethane) connector body, nickel-plated brass coupling nut
 Conductors: 22 AWG (shielded), gold-plated contacts
 Voltage/Current Rating: 250 V ac/dc, 4.0 A
 Temperature: -40° to +105° C Environmental Rating: IP67

Style	Length	Model	Cable Diameter	Dimensions (mm)	Pinout	Used With
Straight	1.83 m	MQDEC2-406	5.20 mm			<ul style="list-style-type: none"> • QS18U • T30UX
	4.57 m	MQDEC2-415				
	9.14 m	MQDEC2-430				
Right-Angle	1.83 m	MQDEC2-406RA	5.20 mm		<ul style="list-style-type: none"> 1 = Brown 2 = White 3 = Blue 4 = Black 	
	4.57 m	MQDEC2-415RA				
	9.14 m	MQDEC2-430RA				

4-Pin Threaded M12/Euro-Style Cordsets (for use with NAMUR sensors)

Cable: PVC jacket, PUR (polyurethane) connector body, nickel-plated brass coupling nut
 Conductors: 20 AWG, gold-plated contacts
 Voltage/Current Rating: 250 V ac/dc, 4.0 A
 Temperature: -40° to +105° C Environmental Rating: IP67

Style	Length	Model	Cable Diameter	Dimensions (mm)	Pinout	Used With
Straight	1.83 m	MQD9-406	5.20 mm			<ul style="list-style-type: none"> • MINI-BEAM & Q45 NAMUR sensors
	4.57 m	MQD9-415				
	9.14 m	MQD9-430				
Right-Angle	1.83 m	MQD9-406RA	5.20 mm		<ul style="list-style-type: none"> 1 = Brown 2 = Blue 	
	4.57 m	MQD9-415RA				
	9.14 m	MQD9-430RA				

4-Pin Threaded M12/Euro-Style Cordsets—Double Ended

Cable: PVC jacket, PUR (polyurethane) connector body, nickel-plated brass coupling nut
 Conductors: 22 AWG, gold-plated contacts
 Voltage/Current Rating: 250 V ac/dc, 4.0 A
 Temperature: -40° to +105° C Environmental Rating: IP67

Style	Length	Model	Cable Diameter	Dimensions (mm)	Pinout	Used With
Male Straight/ Female Straight	0.31 m	MQDEC-401SS	5.90 mm		Female Male 	<ul style="list-style-type: none"> • M12 • QS18 • Q20 • OMNI-BEAM (QDH suffix) • Q45 dc sensors (Q5 suffix) • MINI-BEAM dc SM312 sensors • S18, M18, T18, Q25, S30, T30, Q40 • QM42/QMT42 • SLM • R58A • T30UX • T18U • TL50 • TL30F • K50 • K80 • PVA/PVL • VTB and STB • EZ-LIGHT • WL50 • WLS28-2 • QM26 • Q26 • DF-G1 • WLA • WLC60/WLC90 • QL50
	0.91 m	MQDEC-403SS				
	1.83 m	MQDEC-406SS				
	3.66 m	MQDEC-412SS				
	6.10 m	MQDEC-420SS				
	9.14 m	MQDEC-430SS				
	15.2 m	MQDEC-450SS				
Male Right-Angle/ Female Straight	0.91 m	MQDEC-403RS	5.90 mm		Female Male 	<ul style="list-style-type: none"> • M12 • QS18 • Q20 • OMNI-BEAM (QDH suffix) • Q45 dc sensors (Q5 suffix) • MINI-BEAM dc SM312 sensors • S18, M18, T18, Q25, S30, T30, Q40 • QM42/QMT42 • SLM • R58A • T30UX • T18U • TL50 • TL30F • K50 • K80 • PVA/PVL • VTB and STB • EZ-LIGHT • WL50 • WLS28-2 • QM26 • Q26 • DF-G1 • WLA • WLC60/WLC90 • QL50
	1.83 m	MQDEC-406RS				
	3.66 m	MQDEC-412RS				
	6.10 m	MQDEC-420RS				
	9.14 m	MQDEC-430RS				
	15.2 m	MQDEC-450RS				

4-Pin Threaded M12/Euro-Style Splitter Cordsets—Flat Junction

Cable: PVC jacket, PUR (polyurethane) connector body, nickel-plated brass coupling nut
 Conductors: 22 AWG, gold-plated contacts
 Voltage/Current Rating: 250 V ac/300 V dc, 4.0 A
 Temperature: -40° to +105° C Environmental Rating: IP67
 Wiring: Parallel wired Y-cord

Connections					
Model	Branches (Female)	Trunk (Male)	Cable Diameter	Pinout	Used With
CSB-M1240M1240	No branch	No trunk	5.50 mm	Female Male 	<ul style="list-style-type: none"> • Sensors w/4-Pin Euro QD • EZ-LIGHT • DX80 (10 to 30 V dc) • DX85 • WLS28-2 • WL50 • WLA • WLC60/WLC90
CSB-M1240M1241	2 x 0.30 m	No trunk			
CSB-M1241M1241		0.30 m			
CSB-M1248M1241		2.50 m			
CSB-M12415M1241		4.60 m			
CSB-M12425M1241		7.60 m			
CSB-UNT425M1241		7.60 m			
		Untermated			
Dimensions (mm)					

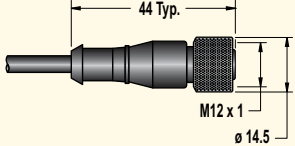
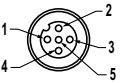
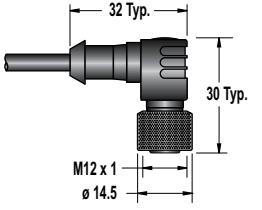
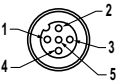
4-Pin Threaded M12/Euro-Style Splitter Cordsets—Rounded Junction

Cable: PVC jacket, PUR (polyurethane) connector body, nickel-plated brass coupling nut
 Conductors: 22 AWG, gold-plated contacts
 Voltage/Current Rating: 60 V ac/75 V dc, 2.0 A
 Temperature: -40° to +105° C Environmental Rating: IP67
 Wiring: Parallel wired Y-cord

Connections					
Model	Branches (Female)	Trunk (Male)	Cable Diameter	Pinout	Used With
CSRB-M1240M1241	0.31 m	No Trunk	5.50 mm	Female Male 	<ul style="list-style-type: none"> • Sensors w/4-Pin Euro QD • EZ-LIGHT • DX80 (10 to 30 V dc) • DX85 • WLS28-2 • WL50 • WLA • WLC60/WLC90
CSRB-M1240M1242	0.61 m				
CSRB-M1240M1243	0.91 m				
CSRB-M1240M1244	1.22 m				
Dimensions (mm)					

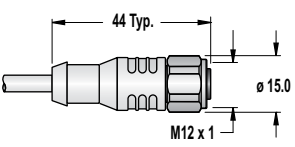
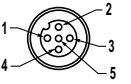
5-Pin Threaded M12/Euro-Style Cordsets

Cable: PVC jacket, PUR (polyurethane) connector body, nickel-plated brass coupling nut
 Conductors: 22 AWG, gold-plated contacts
 Voltage/Current Rating: 250 V ac/dc, 4.0 A
 Temperature: -40° to +105° C Environmental Rating: IP67

Style	Length	Model	Cable Diameter	Dimensions (mm)	Pinout	Used With
Straight	0.50 m	MQDC1-501.5	5.60 mm		Female  1 = Brown 2 = White 3 = Blue 4 = Black 5 = Gray	<ul style="list-style-type: none"> • MINI-BEAM <i>Expert</i> • QS30 • PicoDot • Q45 Laser Retro • R55F • SL30 & SL30E • SL10 & SL10E • VTB (2-color) • QL56 • Q60 • PVD • STB • K50 • K80 • DX80 • DX81 • DX85 • EZ-LIGHT • STB w/em relay • High-Intensity Area Lights • High-Intensity Ring Lights • Sealed Backlights • R58 <i>Expert</i> • QL56
	1.83 m	MQDC1-506				
	4.57 m	MQDC1-515				
	9.14 m	MQDC1-530				
Right-Angle	1.83 m	MQDC1-506RA	5.60 mm		Female  1 = Brown 2 = White 3 = Blue 4 = Black 5 = Gray	<ul style="list-style-type: none"> • MINI-BEAM <i>Expert</i> • QS30 • PicoDot • Q45 Laser Retro • R55F • SL30 & SL30E • SL10 & SL10E • VTB (2-color) • QL56 • Q60 • PVD • STB • K50 • K80 • DX80 • DX81 • DX85 • EZ-LIGHT • STB w/em relay • High-Intensity Area Lights • High-Intensity Ring Lights • Sealed Backlights • R58 <i>Expert</i> • QL56
	4.57 m	MQDC1-515RA				
	9.14 m	MQDC1-530RA				

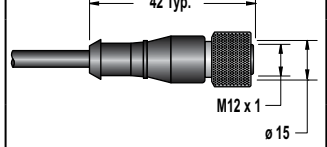
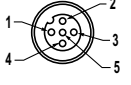
5-Pin Threaded M12/Euro-Style Cordsets – Washdown

Cable: Polypropylene jacket and connector body, stainless steel coupling nut
 Conductors: 22 AWG, gold-plated contacts
 Voltage/Current Rating: 250 V ac/dc, 4.0 A
 Temperature: -40° to +105° C Environmental Rating: IP68

Style	Length	Model	Cable Diameter	Dimensions (mm)	Pinout	Used With
Straight	1.83 m	MQDCWD-506	4.50 mm		Female  1 = Brown 2 = White 3 = Blue 4 = Black 5 = Gray	<ul style="list-style-type: none"> • M25U • QM26
	9.14 m	MQDCWD-530				

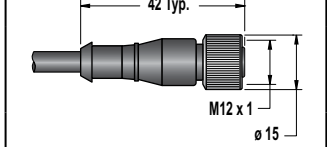
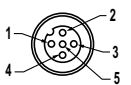
5-Pin Threaded M12/Euro-Style Cordsets

Cable: PVC jacket, PUR (polyurethane) connector body, nickel-plated brass coupling nut
 Conductors: 20 AWG, gold-plated contacts
 Voltage/Current Rating: 250 V ac/dc, 4.0 A
 Temperature: -40° to +105° C Environmental Rating: IP67

Style	Length	Model	Cable Diameter	Dimensions (mm)	Pinout	Used With
Straight	1.83 m	MQDC20-506	6.00 mm		Female  1 = Brown 2 = White 3 = Blue 4 = Black 5 = Gray	<ul style="list-style-type: none"> • High Intensity Area Lights • High Intensity Ring Lights • Sealed Linear Array Lights • Sealed Backlights NOTE: Except stainless steel models
	4.57 m	MQDC20-515				
	9.14 m	MQDC20-530				

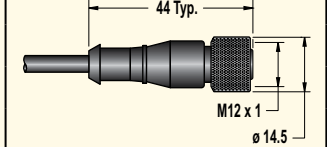
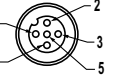
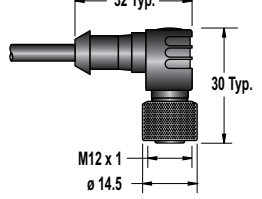
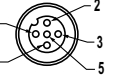
5-Pin Threaded M12/Euro-Style Cordsets

Cable: PVC jacket, PUR (polyurethane) connector body, 316 stainless steel coupling nut
 Conductors: 20 AWG, gold-plated contacts
 Voltage/Current Rating: 250 V ac/dc, 4.0 A
 Temperature: -40° to +105° C Environmental Rating: IP67

Style	Length	Model	Cable Diameter	Dimensions (mm)	Pinout	Used With
Straight	1.83 m	MQDC20SS-506	6.00 mm		Female  1 = Brown 2 = White 3 = Blue 4 = Black 5 = Gray	<ul style="list-style-type: none"> • Sealed High Intensity Area Lights (Stainless Steel) • Sealed Linear Array Lights (Stainless Steel) • Sealed Backlights
	4.57 m	MQDC20SS-515				
	9.14 m	MQDC20SS-530				

5-Pin Threaded M12/Euro-Style Cordsets with Shield

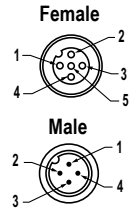
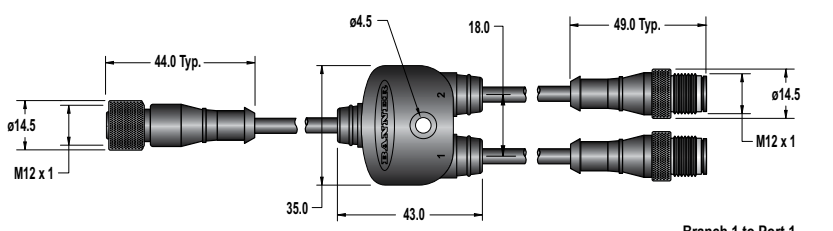
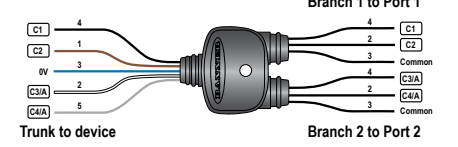
Cable: PVC jacket, PUR (polyurethane) connector body, nickel-plated brass coupling nut
 Conductors: 22 AWG (shielded), gold-plated contacts
 Voltage/Current Rating: 250 V ac/dc, 4.0 A
 Temperature: -40° to +105° C Environmental Rating: IP67

Style	Length	Model	Cable Diameter	Dimensions (mm)	Pinout	Used With
Straight	1.83 m	MQDEC2-506	5.60 mm		Female  1 = Brown 2 = White 3 = Blue 4 = Black 5 = Gray	<ul style="list-style-type: none"> • R58E • QT50U dc sensors • S18U • T30U • M25U • Q45U • Q45UR • LX • QT50R • Q120RA
	4.57 m	MQDEC2-515				
	9.14 m	MQDEC2-530				
	15.2 m	MQDEC2-550				
Right-Angle	1.83 m	MQDEC2-506RA	5.60 mm		Female  1 = Brown 2 = White 3 = Blue 4 = Black 5 = Gray	<ul style="list-style-type: none"> • R58E • QT50U dc sensors • S18U • T30U • M25U • Q45U • Q45UR • LX • QT50R • Q120RA
	4.57 m	MQDEC2-515RA				
	9.14 m	MQDEC2-530RA				
	15.2 m	MQDEC2-550RA				

5-Pin Threaded M12/Euro-Style to 4-Pin Threaded M12/Euro Style Splitter Cordset—Flat Junction

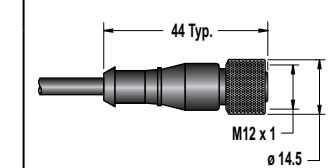
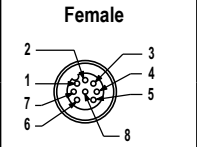
Cable: PVC jacket, PUR (polyurethane) connector body, nickel-plated brass coupling nuts
 Conductor: 22 AWG, gold-plated contacts
 Voltage/Current Rating: 250 V ac/300 V dc, 4.0 A
 Temperature: -40° to +105° C Environmental Rating: IP67
 Wiring: Combiner Y-cord

Connections

Model	Branches (Male)	Trunk (Female)	Cable Diameter	Pinout	Used With																		
CSF-M12F51M12M41	4-pin Euro QD 2 x 0.31 m	5-pin Euro QD 0.31 m	5.50 mm		<ul style="list-style-type: none"> • 3 or 4 Segmented EZ-LIGHT • 3 or 4 function TL50 Tower Lights 																		
Dimensions (mm)																							
																							
																							
<table border="0"> <tr> <td>Trunk</td> <td>Branch 1</td> <td>Branch 2</td> </tr> <tr> <td>1 = Brown</td> <td>1 = NC</td> <td>1 = NC</td> </tr> <tr> <td>2 = White</td> <td>2 = Brown</td> <td>2 = Gray</td> </tr> <tr> <td>3 = Blue</td> <td>3 = Blue</td> <td>3 = Blue</td> </tr> <tr> <td>4 = Black</td> <td>4 = Black</td> <td>4 = White</td> </tr> <tr> <td>5 = Gray</td> <td></td> <td></td> </tr> </table>						Trunk	Branch 1	Branch 2	1 = Brown	1 = NC	1 = NC	2 = White	2 = Brown	2 = Gray	3 = Blue	3 = Blue	3 = Blue	4 = Black	4 = Black	4 = White	5 = Gray		
Trunk	Branch 1	Branch 2																					
1 = Brown	1 = NC	1 = NC																					
2 = White	2 = Brown	2 = Gray																					
3 = Blue	3 = Blue	3 = Blue																					
4 = Black	4 = Black	4 = White																					
5 = Gray																							
NOTE: Use to connect device to a "2-output" I/O block																							

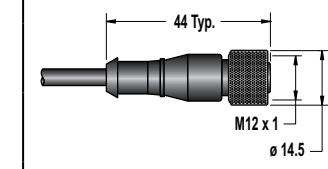
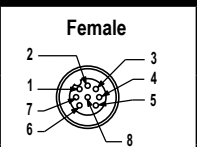
8-Pin Threaded M12/Euro-Style Cordsets with Shield

Cable: PVC jacket, PUR (polyurethane) connector body, nickel-plated brass coupling nut
 Conductors: 24 AWG (shielded), gold-plated contacts
 Voltage/Current Rating: 75 V ac/dc, 2.0 A
 Temperature: -40° to +105° C Environmental Rating: IP67

Style	Length	Model	Cable Diameter	Dimensions (mm)	Pinout	Used With
Straight	1.83 m	MQDC-806	5.60 mm			<ul style="list-style-type: none"> • LT3 • LG5 • LG10
	4.58 m	MQDC-815				
	9.14 m	MQDC-830				

8-Pin Threaded M12/Euro-Style Cordsets with Shield

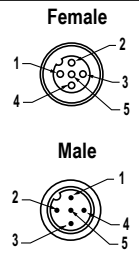
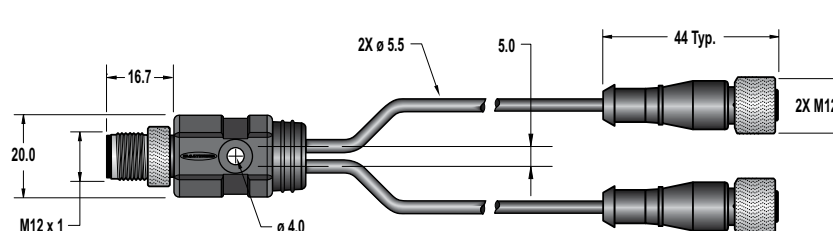
Cable: PVC jacket, PUR (polyurethane) connector body, nickel-plated brass coupling nut
 Conductors: 24 AWG (shielded), gold-plated contacts
 Voltage/Current Rating: 75 V ac/dc, 2.0 A
 Temperature: -40° to +105° C Environmental Rating: IP67

Style	Length	Model	Cable Diameter	Dimensions (mm)	Pinout	Used With
Straight	1.83 m	MAQDC-806	5.60 mm			<ul style="list-style-type: none"> • EZ-ARRAY Emitters/Receivers
	4.58 m	MAQDC-815				
	9.14 m	MAQDC-830				
	15.2 m	MAQDC-850				

5-Pin Threaded M12/Euro-Style Splitter Cordset—Rounded Junction

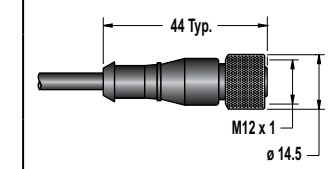
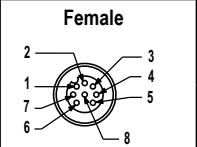
Cable: PVC jacket, PUR (polyurethane) connector body, nickel-plated brass coupling nut
 Conductor: 22 AWG, gold-plated contacts
 Voltage/Current Rating: 60 V ac/75 V dc, 2.0 A
 Temperature: -40° to +105° C Environmental Rating: IP67
 Wiring: Parallel wired Y-cord

Connections

Model	Branches (Female)	Trunk (Male)	Cable Diameter	Pinout	Used With					
CSRB-M1250M125.47M125.73	Branch 1 0.14 m	Branch 2 0.22 m	No trunk	5.60 mm						
Dimensions (mm)										
										
<table border="0"> <tr> <td>1 = Brown</td> <td>2 = White</td> <td>3 = Blue</td> <td>4 = Black</td> <td>5 = Green/Yellow</td> </tr> </table>						1 = Brown	2 = White	3 = Blue	4 = Black	5 = Green/Yellow
1 = Brown	2 = White	3 = Blue	4 = Black	5 = Green/Yellow						
<ul style="list-style-type: none"> • EZ-LIGHTs w/5-Pin Euro QD • DX80 (FlexPower) • LX 										

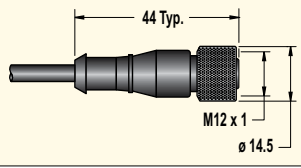
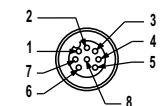
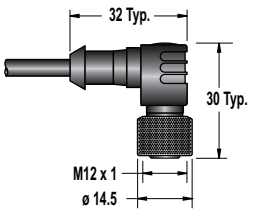
8-Pin Threaded M12/Euro-Style Cordsets with Shield

Cable: PVC jacket, PUR (polyurethane) connector body, nickel-plated brass coupling nut
 Conductors: 24 AWG (shielded), gold-plated contacts
 Voltage/Current Rating: 60 V ac/75 V dc, 2.0 A
 Temperature: -40° to +80° C Environmental Rating: IP67

Style	Length	Model	Cable Diameter	Dimensions (mm)	Pinout	Used With
Straight	1.83 m	MQLH-806-F	6.00 mm			<ul style="list-style-type: none"> • LH
	4.58 m	MQLH-815-F				
	9.14 m	MQLH-830-F				

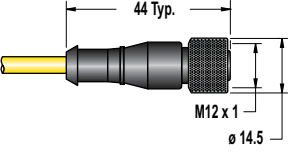
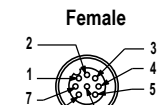
8-Pin Threaded M12/Euro-Style Cordsets with Open-Shield

Cable: PVC jacket, PUR (polyurethane) connector body, nickel-plated brass coupling nut
 Conductors: 24 AWG (shielded), gold-plated contacts
 Voltage/Current Rating: 75 V ac/dc, 2.0 A
 Temperature: -40° to +105° C Environmental Rating: IP67

Style	Length	Model	Cable Diameter	Dimensions (mm)	Pinout	Used With
Straight	1.83 m	MQDC2S-806	5.60 mm		Female 	<ul style="list-style-type: none"> • QC50 • QCX50 • EZ-LIGHT • iVu TG—Integrated Touch Screen models • E-Stops w/Q8 suffix
	4.57 m	MQDC2S-815				
	9.14 m	MQDC2S-830				
	15.2 m	MQDC2S-850				
Right-Angle	1.83 m	MQDC2S-806RA	5.60 mm		1 = White 2 = Brown 3 = Green 4 = Yellow 5 = Gray 6 = Pink 7 = Blue 8 = Red	
	4.57 m	MQDC2S-815RA				
	9.14 m	MQDC2S-830RA				
	15.2 m	MQDC2S-850RA				

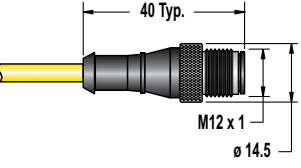
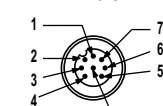
8-Pin Threaded M12/Euro-Style Cordsets

Cable: PVC jacket, PUR (polyurethane) connector body, nickel-plated brass coupling nut
 Conductors: 22 AWG, gold-plated contacts
 Voltage/Current Rating: 75 V ac/dc, 2.0 A
 Temperature: -40° to +105° C Environmental Rating: IP67

Style	Length	Model*	Cable Diameter	Dimensions (mm)	Pinout	Used With
Straight	4.57 m	QDE-815D	6.00 mm		Female 	<ul style="list-style-type: none"> • EZ-SCREEN w/8-pin QD (14 & 30 mm Resolution) • EZ-SCREEN LP w/8-pin QD (14 & 25 mm Resolution) • EZ-SCREEN w/8-pin QD (Point & Grid) • EZ-SCREEN Type 2
	7.62 m	QDE-825D				
	15.3 m	QDE-850D				
	22.9 m	QDE-875D				
	30.5 m	QDE-8100D				

8-Pin Threaded M12/Euro-Style Cordsets

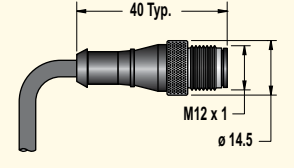
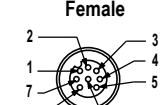
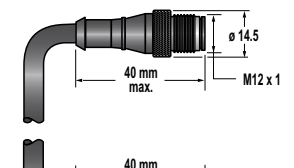
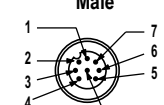
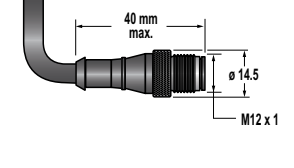
Cable: PVC jacket, PUR (polyurethane) connector body, nickel-plated brass coupling nut
 Conductors: 22 AWG, gold-plated contacts
 Voltage/Current Rating: 60 V ac/75 V dc, 2.0 A
 Temperature: -40° to +105° C Environmental Rating: IP67

Style	Length	Model*	Cable Diameter	Dimensions (mm)	Pinout	Used With
Straight	4.57 m	QDE2R4-815D	5.50 mm		Male 	<ul style="list-style-type: none"> • EZ-SCREEN Receiver (Cascade) CSSI QD (14 & 30 mm) • EZ-SCREEN LP Receiver (Cascade) CSSI QD and a DELPEF-810 (14 & 25 mm) NOTE: For connection of E-Stop or other hard/relay contacts.
	7.62 m	QDE2R4-825D				
	15.2 m	QDE2R4-850D				

* Standard cordsets are yellow PVC with black overmold. For black PVC and overmold, add suffix **B** to model number (example, DEE2R-815DB)

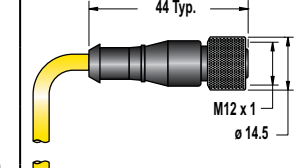
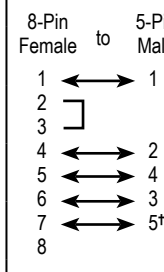
8-Pin Threaded M12/Euro-Style Cordsets with Shield—Double Ended

Cable: PVC jacket, PUR (polyurethane) connector body, nickel-plated brass coupling nut
 Conductors: 24 AWG (shielded), gold-plated contacts
 Voltage/Current Rating: 60 V ac/75 V dc, 2.0 A
 Temperature: -40° to +105° C Environmental Rating: IP67

Style	Length	Model	Cable Diameter	Dimensions (mm)	Pinout	Used With
Male Straight/ Female Straight	1.83 m	MQLH-806-MF	6.00 mm		Female 	• LH
	4.57 m	MQLH-815-MF				
	9.14 m	MQLH-830-MF				
Male Straight/ Male Straight	0.30 m	MQLH-801-MM	6.00 mm		Female 	1 = White 5 = Gray 2 = Brown 6 = Green 3 = Shield 7 = Blue 4 = Yellow 8 = Shield
						

8-Pin Threaded M12/Euro-Style Cordsets—Double Ended

Cable: PVC jacket, PUR (polyurethane) connector body, nickel-plated brass coupling nut
 Conductors: 22 AWG, gold-plated contacts
 Voltage/Current Rating: 60 V ac/75 V dc, 2.0 A
 Temperature: -40° to +105° C Environmental Rating: IP68

Style	Length	Model*			Cable Diameter	Dimensions (mm)	Pinout	Used With
		8-pin/ 8-pin	8-pin/ 4-pin†	8-pin/ 5-pin*				
Female Straight/ Male Straight	0.31 m	DEE2R-81D	DEE8-41D	DEE8-51D	6.00 mm		8-Pin Female to 5-Pin Male 	<ul style="list-style-type: none"> • EZ-SCREEN w/8-pin QD (14 & 30 mm Resolution) • EZ-SCREEN LP w/8-pin QD (14 & 25 mm Resolution) • EZ-SCREEN w/8-pin QD (Point & Grid) • EZ-SCREEN Type 2 (DEE2R only) • AC Interface Boxes (DEE2R only) • E-Stops 8-pin QD w/Q8 suffix
	0.91 m	DEE2R-83D	—	—				
	2.44 m	DEE2R-88D	DEE8-48D	DEE8-58D				
	4.57 m	DEE2R-815D	DEE8-415D	DEE8-515D				
	7.62 m	DEE2R-825D	DEE8-425D	DEE8-525D				
	15.2 m	DEE2R-850D	—	—				
	22.9 m	DEE2R-875D	—	—				
30.5 m	DEE2R-8100D	—	—					

* Standard cordsets are yellow PVC with black overmold. For black PVC and overmold, add suffix **B** to model number (example, DEE2R-815DB)

** For connection to safety BUS gateway/node, a "smart" self-monitored safety module, safety controller or safety PLC.

† DEE8-4..D do not have the pin 5 GND/chassis connection. GND/chassis connection should be made via the mounting hardware.

8-Pin Threaded M12/Euro-Style Splitter Cordsets with Shield—Flat Junction

Cable: PVC jacket, PUR (polyurethane) connector body, nickel-plated brass coupling nut
 Conductors: 24 AWG (shielded), gold-plated contacts
 Voltage/Current Rating: 60 V ac/75 V dc, 2.0 A
 Temperature: -40° to +80° C Environmental Rating: IP67
 Wiring: Parallel wired Y-cord

Connections

Model	Branches (Female)	Trunk (Male)	Cable Diameter	Pinout	Used With
CSB-M1280M1280-LH	No branches	No trunk	6.00 mm		• LH
CSB-M1281M1282-LH	0.60 m	0.30 m			
Dimensions (mm)					

8-Pin Threaded M12/Euro-Style Splitter Cordsets with Shield—Flat Junction

Cable: PVC jacket, PUR (polyurethane) connector body, nickel-plated brass coupling nut
 Conductors: 24 AWG (shielded), gold-plated contacts
 Voltage/Current Rating: 60 V ac/75 V dc, 2.0 A
 Temperature: -40° to +150° C Environmental Rating: IP67
 Wiring: Parallel wired Y-cord

Connections

Model	Branches (Female)	Trunk (Male)	Cable Diameter	Pinout	Used With
CSB3-M1281M1282-LH	0.60 m	0.30 m	6.00 mm		• LH
Dimensions (mm)					

8-Pin Threaded M12/Euro-Style Splitter Cordsets—Flat Junction

Cable: PVC jacket, PUR (polyurethane) connector body, nickel-plated brass coupling nut
 Conductors: 22 AWG, gold-plated contacts
 Voltage/Current Rating: 60 V ac/75 V dc, 2.0 A
 Temperature: -40° to +105° C Environmental Rating: IP68
 Wiring: Parallel wired Y-cord

Connections

Model	Branches (Female)	Trunk (Male)	Cable Diameter	Pinout	Used With
CSB-M1280M1280	No branches	No trunk	6.00 mm		<ul style="list-style-type: none"> EZ-ARRAY EZ-LIGHT Indicator Lights EZ-SCREEN w/8-pin QD (14 & 30 mm Resolution) EZ-SCREEN LP w/8-pin QD (14 & 25 mm Resolution) EZ-SCREEN w/8-pin QD (Point & Grid) EZ-SCREEN Type 2 AC Interface Boxes
CSB-M1281M1281	2 x 0.3 m	0.3 m			
CSB-M1288M1281		2.5 m			
CSB-M12815M1281		4.6 m			
CSB-M12825M1281		7.6 m			
CSB-UNT825M1281*		7.6 m Untersminated			
Dimensions (mm)					

*Standard cordsets are yellow PVC with black overmold. For black PVC and overmold, add suffix **B** to model number (example, **CSB-M1280M1280B**).

8-Pin Threaded M12/Euro-Style to USB Cordsets—Double Ended

Cable: PVC jacket, PUR (polyurethane) connector body, nickel-plated brass coupling nut on Euro QD end
 Conductors: 28 AWG or 24 AWG, gold-plated contacts
 Voltage Rating: 60 V ac/75 V dc
 Temperature: -40° to +90° C

Style	Length	Model	Cable Diameter	Dimensions (mm)	Pinout	Used With
Straight Euro QD/USB	0.15 m	MQDEC-8005-USB	4.80 mm			<ul style="list-style-type: none"> iVu TG & BCR—Integrated Touch Screen models
	0.30 m	MQDEC-801-USB				
	0.90 m	MQDEC-803-USB				
	3.00 m	MQDEC-810-USB				
Right-Angle Euro QD/USB	0.15 m	MQDEC-8005RA-USB	4.80 mm			<ul style="list-style-type: none"> iVu TG & BCR—Integrated Touch Screen models
	0.30 m	MQDEC-801RA-USB				
	0.90 m	MQDEC-803RA-USB				
	3.00 m	MQDEC-810RA-USB				

8-Pin Threaded M12/Euro-Style to Molex Cordsets—Double Ended

Cable: Euro: PVC jacket, PUR (polyurethane) connector body, nickel-plated brass coupling nut
Molex: Nylon (polyamide)/PUR (polyurethane)
Conductors: 24 AWG, gold-plated contacts
Voltage Rating: 30 V ac/dc 2.0 A
Temperature: -40° to +105° C Environmental Rating: IP67

Style	Length	Model	Cable Diameter	Dimensions (mm)	Pinout	Used With
Straight Euro QD/ Molex	0.91 m	IVURD-MX-803	6.10 mm		<p>Molex</p> <p>Male</p> 1 = Orange 5 = Green 2 = Brown 6 = Blue 3 = Wh/Bn 7 = Wh/Or 4 = Wh/Bl 8 = Wh/Gn	• iVu RD35 remote display
	1.83 m	IVURD-MX-806				
	4.57 m	IVURD-MX-815				
	9.14 m	IVURD-MX-830				
	15.2 m	IVURD-MX-850				
Right-Angle Euro QD/ Molex	0.91 m	IVURD-MX-803RA	6.10 mm		<p>Molex</p> <p>Male</p> 1 = Orange 5 = Green 2 = Brown 6 = Blue 3 = Wh/Bn 7 = Wh/Or 4 = Wh/Bl 8 = Wh/Gn	• iVu RD35 remote display
	1.83 m	IVURD-MX-806RA				
	4.57 m	IVURD-MX-815RA				
	9.14 m	IVURD-MX-830RA				
	15.2 m	IVURD-MX-850RA				

8-Pin Threaded M12/Euro-Style—Double Ended

Cable: Euro: PVC jacket, PUR (polyurethane) connector body, nickel-plated brass coupling nut
Molex: Nylon (polyamide)/PUR (polyurethane)
Conductors: 24 AWG, gold-plated contacts
Voltage Rating: 30 V ac/dc 2.0 A
Temperature: -40° to +105° C Environmental Rating: IP67

Style	Length	Model	Cable Diameter	Dimensions (mm)	Pinout	Used With
Straight Euro QD/ Molex	0.91 m	IVURDM-QD-803	6.10 mm		<p>Female</p> 1 = Wh/Or 5 = Wh/Bl 2 = Green 6 = Blue 3 = Wh/Bn 7 = Wh/Gn 4 = Orange 8 = Brown	• iVu RDM35 remote display
	1.83 m	IVURDM-QD-806				
	4.57 m	IVURDM-QD-815				
	9.14 m	IVURDM-QD-830				
	15.2 m	IVURDM-QD-850				
Right-Angle Euro QD/ Molex	0.91 m	IVURDM-QD-803RA	6.10 mm		<p>Male</p> 1 = Orange 5 = Green 2 = Brown 6 = Blue 3 = Wh/Bn 7 = Wh/Or 4 = Wh/Bl 8 = Wh/Gn	• iVu RDM35 remote display
	1.83 m	IVURDM-QD-806RA				
	4.57 m	IVURDM-QD-815RA				
	9.14 m	IVURDM-QD-830RA				
	15.2 m	IVURDM-QD-850RA				

8-Pin Threaded M12/Euro-Style QD to RD Cordsets

Cable: Euro: PVC jacket, PUR (polyurethane) connector body, nickel-plated brass coupling nut
RD: Nylon (polyamide)/PUR (polyurethane) RD connector
Conductors: 22 AWG, gold-plated contacts
Voltage/Current Rating: 60 V ac/75 V dc, 2.0 A
Temperature: 0° to +55° C Environmental Rating: IP67

Style	Length	Model*	Cable Diameter	Dimensions (mm)	Pinout	Used With
RD/ Male Straight	0.31 m	DELPE-81D	6.00 mm		<p>RD</p> <p>Male</p> 1 = Brown 5 = Black 2 = Or/Bk 6 = Blue 3 = Orange 7 = Gn/Ye 4 = White 8 = Violet	• EZ-SCREEN LP w/RD (14 & 25 mm Resolution) NOTE: Requires QDE-8...D, DEE2R-8...D, CSB-M128... or other M12/Euro QD cordset
	0.91 m	DELPE-83D				
	2.44 m	DELPE-88D				
	4.57 m	DELPE-815D				
	7.62 m	DELPE-825D				
	15.2 m	DELPE-850D				
	22.9 m	DELPE-875D				
	30.5 m	DELPE-8100D				

* Standard cordsets are yellow PVC with black overmold. For black PVC cable and overmold, add suffix **B** to model number (example, DELPE-81DB).

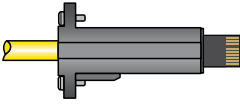
8-Pin Threaded M12/Euro-Style QD to RD Cordsets

Cable: Euro: PVC jacket, PVC connector body, nickel-plated brass coupling nut
RD: Nylon (polyamide)/PUR (polyurethane) RD connector
Conductors: 22 AWG, gold-plated contacts
Voltage/Current Rating: 60 V ac/75 V dc, 2.0 A
Temperature: 0° to +55° C Environmental Rating: IP67

Style	Length	Model*	Cable Diameter	Dimensions (mm)	Pinout	Used With
RD/ Female Straight	0.31 m	DELPEF-81D	6.00 mm		<p>RD</p> <p>Female</p> 1 = Brown 5 = Black 2 = Or/Bk 6 = Blue 3 = Orange 7 = Gn/Ye 4 = White 8 = Violet	• EZ-SCREEN LP (Cascade) w/RD (14 & 25 mm); requires QDE2R4-8...D cordset or connection of E-Stop or other hard/relay contact; for connection to DEE2R-8...D or to EZ-SCREEN LP w/8-pin QD
	0.91 m	DELPEF-83D				
	2.44 m	DELPEF-88D				
	4.57 m	DELPEF-815D				

RD to Flying Lead Cordsets

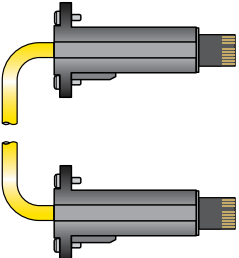
Cable: PVC jacket, nylon (polyamide)/PUR (polyurethane) RD connector
 Conductors: 22 AWG, gold-plated contacts
 Voltage/Current Rating: 60 V ac/75 V dc, 2.0 A
 Temperature: 0° to +55° C Environmental Rating: IP67

Style	Length	Model*		Cable Diameter	Dimensions (mm)	Pinout	Used With
		8 wire	4 wire†				
RD	4.57 m	RDLP-815D	RDLP6G-415D	6.00 mm		RD	• EZ-SCREEN LP w/RD (14 & 25 mm Resolution)
	7.62 m	RDLP-825D	RDLP6G-425D				
	15.2 m	RDLP-850D	RDLP6G-450D				
	22.9 m	RDLP-875D	—				
	30.5 m	RDLP-8100D	—				

† For connection of E-Stop or other hard/relay contacts. See EZ-SCREEN installation manual p/n 140044 for more information.

RD to RD Cordsets

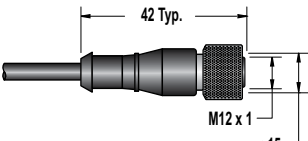
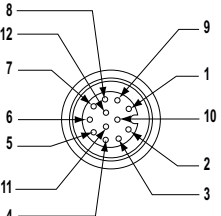
Cable: PVC jacket, nylon (polyamide)/PUR (polyurethane) RD connector
 Conductors: 22 AWG, gold-plated contacts
 Voltage/Current Rating: 60 V ac/75 V dc, 2.0 A
 Temperature: 0° to +55° C Environmental Rating: IP67

Style	Length	Model*	Cable Diameter	Dimensions (mm)	Pinout	Used With
RD/RD	0.05 m	DELP-110E	6.00 mm		RD	• EZ-SCREEN LP w/RD Cascading (14 & 25 mm Resolution)
	0.30 m	DELP-111E				
	0.91 m	DELP-113E				
	2.44 m	DELP-118E				
	4.57 m	DELP-1115E				
	7.62 m	DELP-1125E				
	15.2 m	DELP-1150E				
	22.9 m	DELP-1175E				
	30.5 m	DELP-11100E				

* Standard cordsets are yellow PVC with black overmold. For black PVC cable and overmold, add suffix **B** to model number (example, DELP-110EB).

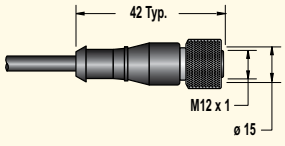
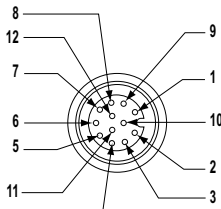
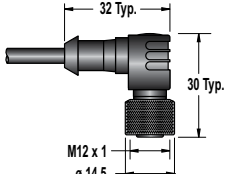
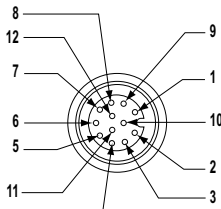
12-Pin M12/Euro-Style Cordsets with Open Shield

Cable: PVC jacket, PUR (polyurethane) connector body, nickel-plated brass coupling nut
 Conductors: 20 and 24 AWG, gold-plated contacts
 Voltage Rating: 250 V ac/300 V dc
 Temperature: -40° to +105° C Environmental Rating: IP67

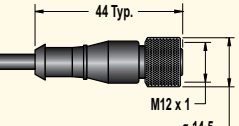
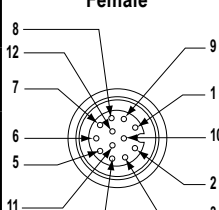
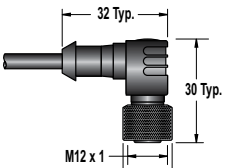
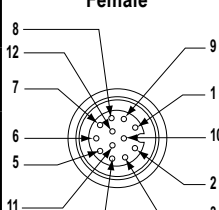
Style	Length	Model	Cable Diameter	Dimensions (mm)	Pinout	Used With
Straight	1.83 m	MQDC2S-1206	7.50 mm		Female  1 = White 7 = Blue 2 = Brown 8 = Red 3 = Green 9 = Orange 4 = Yellow 10 = Lt. Blue 5 = Gray 11 = Black 6 = Pink 12 = Violet	• IP68 Sealed P4 • iVu BCR—Integrated Touch Screen models • iVu Plus (For CE compliance)
	4.57 m	MQDC2S-1215				
	9.14 m	MQDC2S-1230				
	15.2 m	MQDC2S-1250				
	22.9 m	MQDC2S-1275				

12-Pin M12/Euro-Style Cordsets

Cable: PVC jacket, PUR (polyurethane) connector body, nickel-plated brass coupling nut
 Conductors: 24, 20 AWG, gold-plated contacts
 Voltage Rating: 300 V ac/dc, 2.0, 7.0 A
 Temperature: -40° to +105° C Environmental Rating: IP67

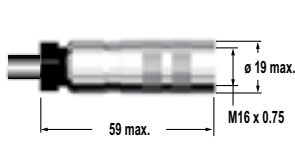
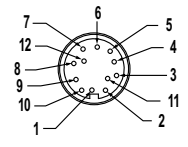
Style	Length	Model	Cable Diameter	Dimensions (mm)	Pinout	Used With
Straight	1.83 m	iVUC-1206	7.50 mm		Female  1 = White 7 = Blue 2 = Brown 8 = Red 3 = Green 9 = Orange 4 = Yellow 10 = Lt. Blue 5 = Gray 11 = Black 6 = Pink 12 = Violet	• iVu TG & BCR Remote Touch Screen models • iVu BCR—Integrated Touch Screen models • iVu Plus
	4.57 m	iVUC-1215				
	9.14 m	iVUC-1230				
	15.2 m	iVUC-1250				
	22.9 m	iVUC-1275				
Right-Angle	1.83 m	iVUC-1206RA	7.50 mm		Female  1 = White 7 = Blue 2 = Brown 8 = Red 3 = Green 9 = Orange 4 = Yellow 10 = Lt. Blue 5 = Gray 11 = Black 6 = Pink 12 = Violet	• iVu TG & BCR Remote Touch Screen models • iVu BCR—Integrated Touch Screen models • iVu Plus
	4.57 m	iVUC-1215RA				
	9.14 m	iVUC-1230RA				
	15.2 m	iVUC-1250RA				
	22.9 m	iVUC-1275RA				

12-Pin Threaded M12/Euro-Style QD to DB15 Cordsets

Style	Length	Model	Cable Diameter	Dimensions (mm)	Pinout	Used With
Straight (High Flex)/DB15	1.83 m	PPC06SHF	7.60 mm		Female  1 = Blue 7 = Not Used 2 = Violet 8 = Pink 3 = Green 9 = Gray 4 = Red 10 = Brown 5 = White 11 = Yellow 6 = Black 12 = Drain	• Pro • Mini Pro • Sealed Pro
	3.96 m	PPC13SHF				
	7.01 m	PPC23SHF				
	9.75 m	PPC32SHF				
Right-Angle (High Flex)/DB15	1.83 m	PPC06SRAHF	7.60 mm		Female  1 = Blue 7 = Not Used 2 = Violet 8 = Pink 3 = Green 9 = Gray 4 = Red 10 = Brown 5 = White 11 = Yellow 6 = Black 12 = Drain	• Pro • Mini Pro • Sealed Pro
	3.96 m	PPC13SRAHF				
	7.01 m	PPC23SRAHF				
	9.75 m	PPC32SRAHF				

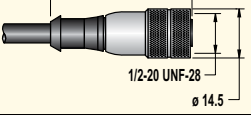
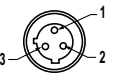
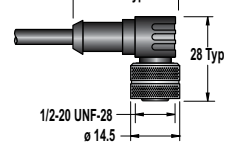
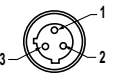
12-Pin M16 Cordsets

Cable: PVC jacket, nickel-plated brass coupling nut
 Conductors: 22 AWG, gold-plated contacts
 Voltage/Current Rating: 60 V ac/dc, 4.0 A
 Temperature: 40° to +80° C Environmental Rating: IP67

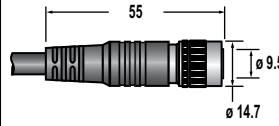
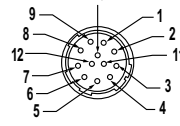
Style	Length	Model	Cable Diameter	Dimensions (mm)	Pinout	Used With
Straight	3.05 m	MQDC-1210ST	7.60 mm		<p>Female</p>  <p>1 = White 7 = Red 2 = Brown 8 = Black 3 = Green 9 = Violet 4 = Yellow 10 = Gy/Pk 5 = Gray 11 = Rd/Bu 6 = Pink 12 = Blue</p>	• LT7
	9.14 m	MQDC-1230ST				
	24.4 m	MQDC-1280ST				

3-Pin Micro-Style Cordsets

Cable: PVC jacket, PUR (polyurethane) connector body, nickel-plated brass coupling nut
 Conductors: 22 AWG, gold-plated contacts
 Voltage/Current Rating: 250 V ac/dc, 4.0 A
 Temperature: -40 to +80° C Environmental Rating: IP67

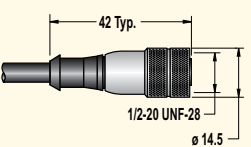
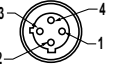
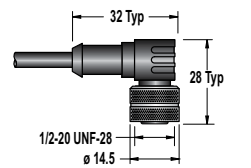
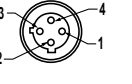
Style	Length	Model	Cable Diameter	Dimensions (mm)	Pinout	Used With
Straight	1.83 m	MQDC-306	5.20 mm		<p>Female</p>  <p>1 = Green 2 = Red/Black 3 = Red/White</p>	• MINI-BEAM ac SM2A312 sensors
	4.57 m	MQDC-315				
	9.14 m	MQDC-330				
Right-Angle	1.83 m	MQDC-306RA	5.20 mm		<p>Female</p>  <p>1 = Green 2 = Red/Black 3 = Red/White</p>	• MINI-BEAM ac SM2A312 sensors
	4.57 m	MQDC-315RA				
	9.14 m	MQDC-330RA				

12-Pin QD Cordsets

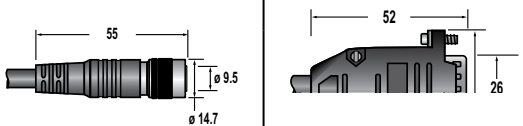
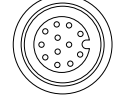
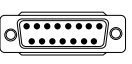
Style	Length	Model	Cable Diameter	Dimensions (mm)	Pinout	Used With
Straight	1.83 m	P4C06	7.70 mm		<p>Female</p>  <p>1 = Shield = Bare Metal 2 = Gray 8 = Lt. Blue 3 = Orange 9 = Violet 4 = Pink 10 = Green 5 = Black 11 = Blue 6 = Red 12 = Brown</p>	• P4 • PPSIM with terminal strip to P4
	7.01 m	P4C23				
	9.75 m	P4C32				
	15.2 m	P4C50				
	22.9 m	P4C75				
	34.0 m	P4C110				

4-Pin Micro-Style Cordsets

Cable: PVC jacket, PUR (polyurethane) connector body, nickel-plated brass coupling nut
 Conductors: 22 AWG, gold-plated contacts
 Voltage/Current Rating: 250 V ac/dc, 4.0 A
 Temperature: -40° to +105° C Environmental Rating: IP67

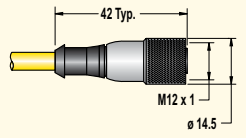
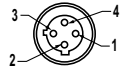
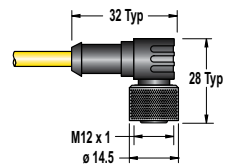
Style	Length	Model	Cable Diameter	Dimensions (mm)	Pinout	Used With
Straight	1.83 m	MQAC-406	5.70 mm		<p>Female</p>  <p>1 = Red/Black 2 = Red/White 3 = Red 4 = Green</p>	• QS18 ac/dc sensors • Q45 ac series (suffix Q1) • S18, M18, T18, Q25, S30, T30 & Q40 ac sensors (suffix Q1) • Q60 ac series
	4.57 m	MQAC-415				
	9.14 m	MQAC-430				
Right-Angle	1.83 m	MQAC-406RA	5.70 mm		<p>Female</p>  <p>1 = Red/Black 2 = Red/White 3 = Red 4 = Green</p>	• QS18 ac/dc sensors • Q45 ac series (suffix Q1) • S18, M18, T18, Q25, S30, T30 & Q40 ac sensors (suffix Q1) • Q60 ac series
	5.00 m	MQAC-415RA				
	9.14 m	MQAC-430RA				

12-Pin QD to DB15 Cordsets

Style	Length	Model	Cable Diameter	Dimensions (mm)	Pinout	Used With
Straight/ DB15	2.00 m	P4C06SIM	6.9 mm		<p>Female</p>  <p>Male</p> 	• P4 to PPSIM
	7.00 m	P4C23SIM				
	10.0 m	P4C32SIM				

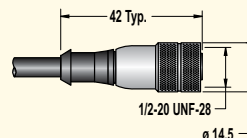
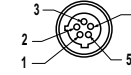
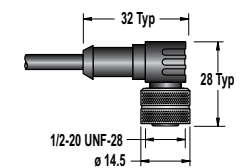
4-Pin Micro-Style Cordsets

Cable: PVC jacket, PUR (polyurethane) connector body, nickel-plated brass coupling nut
 Conductors: 22 AWG, gold-plated contacts
 Voltage Rating: 125 V ac/150 V dc
 Temperature: -40° to +80° C Environmental Rating: IP67

Style	Length	Model	Cable Diameter	Dimensions (mm)	Pinout	Used With
Straight	1.83 m	MQEAC-406	5.7 mm		Female 	<ul style="list-style-type: none"> • SI-HG80 hinge-style switches
	4.57 m	MQEAC-415				
	9.14 m	MQEAC-430				
Right-Angle	1.83 m	MQEAC-406RA	5.70 mm		1 = Red/Black 2 = Red/White 3 = Red 4 = Green	
	4.57 m	MQEAC-415RA				
	9.14 m	MQEAC-430RA				

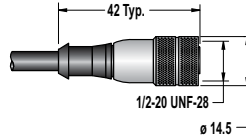
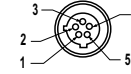
5-Pin Micro-Style Cordsets with Shield

Cable: PVC jacket, PUR (polyurethane) connector body, nickel-plated brass coupling nut
 Conductors: 22 AWG with 22 AWG drain wire (shielded), gold-plated contacts
 Voltage/Current Rating: 250 V ac/dc, 4.0 A
 Temperature: -40° to +105° C Environmental Rating: IP67

Style	Length	Model	Cable Diameter	Dimensions (mm)	Pinout	Used With
Straight	1.83 m	MQVR3S-506	6.10 mm		Female 	<ul style="list-style-type: none"> • QT50U ac/dc sensors • EZ-LIGHT ac indicators
	4.57 m	MQVR3S-515				
	9.14 m	MQVR3S-530				
Right-Angle	1.83 m	MQVR3S-506RA	6.10 mm		1 = Brown 2 = White 3 = Yellow 4 = Black 5 = Blue	
	4.57 m	MQVR3S-515RA				
	9.14 m	MQVR3S-530RA				

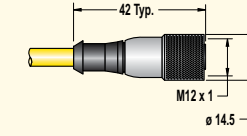
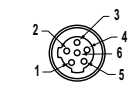
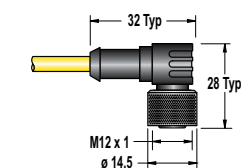
5-Pin Micro-Style Cordsets

Cable: PVC jacket, PUR (polyurethane) connector body, nickel-plated brass coupling nut
 Conductors: 22 AWG, gold-plated contacts
 Voltage/Current Rating: 250 V ac/dc, 4.0 A
 Temperature: -40° to +105° C Environmental Rating: IP67

Style	Length	Model	Cable Diameter	Dimensions (mm)	Pinout	Used With
Straight	1.83 m	MQAC2-506	6.10 mm		Female 	
	4.57 m	MQAC2-515				
	9.14 m	MQAC2-530				

6-Pin Micro-Style Cordsets

Cable: PVC jacket, PUR (polyurethane) connector body, nickel-plated brass coupling nut
 Conductors: 22 AWG, gold-plated contacts
 Voltage/Current Rating: 125 V ac, 4.0 A
 Temperature: -40° to +80° C Environmental Rating: IP67

Style	Length	Model	Cable Diameter	Dimensions (mm)	Pinout	Used With
Straight	1.83 m	MQEAC-606	5.60 mm		Female 	<ul style="list-style-type: none"> • SI-HG63 hinge-style switches
	4.57 m	MQEAC-615				
	9.14 m	MQEAC-630				
Right-Angle	1.83 m	MQEAC-606RA	5.60 mm		1 = Red/White 2 = Red 3 = Green 4 = Red/Yellow 5 = Red/Black 6 = Red/Blue	
	4.57 m	MQEAC-615RA				
	9.14 m	MQEAC-630RA				

3-Pin Mini-Style Cordsets

Cable: PVC jacket, PUR (polyurethane) connector body, nylon coupling nut
 Conductors: 18 AWG, PVC insulation, gold-plated contacts
 Voltage/Current Rating: 300 V ac/dc, 9.0 A
 Temperature: -40° to +80° C Environmental Rating: IP67

Style	Length	Model	Cable Diameter	Dimensions (mm)	Pinout	Used With	
Straight	1.83 m	MBCC-306	7.00 mm		Female 1 = Brown 3 = Blue 4 = Black	• Q45	
	3.66 m	MBCC-312				• SMI30 Intrinsically safe dc sensors	
	9.14 m	MBCC-330					
Straight	1.83 m	SMICC-306			1 = Red/Black 3 = Red/White 4 = Green	• SM30 2-wire ac sensors	
	3.66 m	SMICC-312					
	9.14 m	SMICC-330					
Straight	1.83 m	SM30CC-306					
	3.66 m	SM30CC-312					

3-Pin Mini-Style Cordsets

Cable: PVC jacket, PUR (polyurethane) connector body, nickel-plated brass coupling nut
 Conductors: 18 AWG, PVC insulation, gold-plated contacts
 Voltage Rating: 250 V ac/300 dc
 Temperature: -40° to +80° C Environmental Rating: IP67

Style	Length	Model	Cable Diameter	Dimensions (mm)	Pinout	Used With
Straight	4.75 m	QDS-315C	7.00 mm		Female 1 = Green/Ye 2 = Brown 3 = Blue	<ul style="list-style-type: none"> • EZ-SCREEN Emitters w/3-pin mini-style QD (Point & Grid) • EZAC Box w/3-pin mini-style QD
	7.62 m	QDS-325C				
	15.2 m	QDS-350C				
	22.9 m	QDS-375C				
	30.5 m	QDS-3100C				

4-Pin Mini-Style Cordsets

Cable: PVC jacket, PUR (polyurethane) connector body, nylon coupling nut
 Conductors: 18 AWG, gold-plated contacts
 Voltage/Current Rating: 300 V ac/dc, 9.0 A
 Temperature: -40° to +80° C Environmental Rating: IP67

Style	Length	Model	Cable Diameter	Dimensions (mm)	Pinout	Used With
Straight	1.83 m	MBCC-406	7.00 mm		Female 1 = Brown 2 = White 3 = Blue 4 = Black	<ul style="list-style-type: none"> • Q45 dc sensors (suffix Q) • OMNI-BEAM dc power blocks • SM30 dc sensors • OTB w/solid-state output • STB with solid-state output • Q45 4-wire ac/dc
	3.66 m	MBCC-412				
	9.14 m	MBCC-430				

5-Pin Mini-Style Cordsets

Cable: PVC jacket, PUR (polyurethane) connector body, nylon coupling nut
 Conductors: 18 AWG, gold-plated contacts
 Voltage/Current Rating: 300 V ac/dc, 9.0 A
 Temperature: -40° to +80° C Environmental Rating: IP67

Style	Length	Model	Cable Diameter	Dimensions (mm)	Pinout	Used With
Straight	1.83 m	MBCC-506	7.00 mm		Female 1 = Black 2 = Blue 3 = Yellow 4 = Brown 5 = White	<ul style="list-style-type: none"> • Q45 Laser Retro • OMNI-BEAM ac power blocks • OMNI-BEAM dc w/ e/m relay • OTB & LTB w/SPDT relay • Q45 5-wire ac • STB with e/m relay
	3.66 m	MBCC-512				
	9.14 m	MBCC-530				

5-Pin Mini-Style Cordsets with Shield

Cable: PVC jacket, PUR (polyurethane) connector body, nylon coupling nut
 Conductors: 22 AWG (shielded), PVC insulation, gold-plated contacts
 Voltage/Current Rating: 300 V ac/dc, 9.0 A
 Temperature: -40° to +80° C Environmental Rating: IP67

Style	Length	Model	Cable Diameter	Dimensions (mm)	Pinout	Used With
Straight	1.83 m	MBCC2-506	6.10 mm		Female 1 = Brown 2 = White 3 = Blue 4 = Black 5 = Yellow	<ul style="list-style-type: none"> • QT50U • Q45U • Q45UR
	3.66 m	MBCC2-512				
	9.14 m	MBCC2-530				

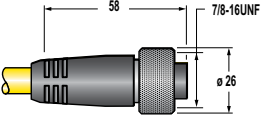
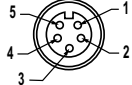
5-Pin Mini-Style Cordsets with Green/Yellow Grounding Wire

Cable: PVC jacket, PUR (polyurethane) connector body, nickel-plated brass coupling nut
 Conductors: 20 AWG, gold-plated contacts
 Voltage/Current Rating: 250 V ac/300 V dc, 9.0 A
 Temperature: -40° to +90° C Environmental Rating: IP67

Style	Length	Model	Cable Diameter	Dimensions (mm)	Pinout	Used With
Straight	4.75 m	QDS-515C	7.00 mm		Female 1 = Black 2 = Blue 3 = Gn/Ye 4 = Brown 5 = White	<ul style="list-style-type: none"> • EZ-SCREEN Receivers w/5-pin mini-style QD & TEST (Point & Grid) • EZAC Box w/5-pin mini-style QD
	7.62 m	QDS-525C				
	15.2 m	QDS-550C				

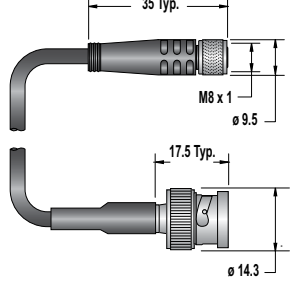
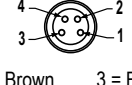

5-Pin Mini-Style Cordsets with Shield and "Twisted Pair"

Cable: PVC jacket, PUR (polyurethane) connector body, nickel-plated brass coupling nut
 Conductors: 20 AWG (shielded), PVC insulation, gold-plated contacts
 Voltage Rating: 250 V ac/300 V dc
 Temperature: -40° to +90° C Environmental Rating: IP67

Style	Length	Model	Cable Diameter	Dimensions (mm)	Pinout	Used With
Straight	4.57 m	QDC-515C	7.00 mm		Female  1 = Black 2 = Blue 3 = Drain 4 = Brown 5 = White	<ul style="list-style-type: none"> MINI-ARRAY High-Resolution MINI-ARRAY
	7.62 m	QDC-525C				
	15.2 m	QDC-550C				
	22.9 m	MAQDC-575C				
	30.5 m	MAQDC-5100C				
	38.1 m	MAQDC-5125C				
45.7 m	MAQDC-5150C					

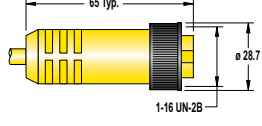
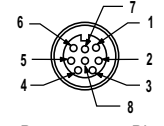
BNC to 4-Pin Threaded M8/Pico-Style Cordsets with Shield

Cable: PVC jacket, PUR (polyurethane) connector body, nickel-plated brass coupling nut on QD end
 Conductors: 26 AWG
 Voltage/Current Rating: 125 V ac/125 V dc, 4.0 A
 Temperature: -40° to +105° C Environmental Rating: IP67

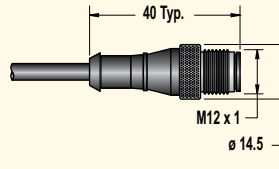
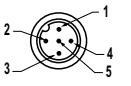
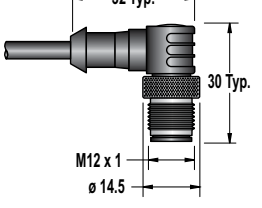
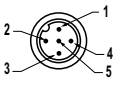
Style	Length	Model	Cable Diameter	Dimensions (mm)	Pinout	Used With
BNC/ Pico QD Straight	2.00 m	PKG4M-2/CS	4.40 mm		Female  1 = Brown 3 = Blue 2 = Not Used 4 = Drain Male 	<ul style="list-style-type: none"> IP68 Sealed P4
	5.00 m	PKG4M-5/CS				
	9.00 m	PKG4M-9/CS				

8-Pin Mini-Style Cordsets

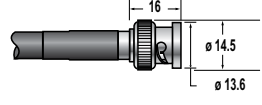

Cable: PVC jacket, PUR (polyurethane) connector body, nylon coupling nut
 Conductors: 20 AWG, PVC insulation, gold-plated contacts
 Voltage Rating: 250 V ac/300 V dc
 Temperature: -40° to +80° C Environmental Rating: IP67

Style	Length	Model	Cable Diameter	Dimensions (mm)	Pinout	Used With
Straight	4.51 m	QDS-815C	6.90 mm		Female  1 = Brown 5 = Black 2 = Or/Bk 6 = Blue 3 = Orange 7 = Gn/Ye 4 = White 8 = Violet	<ul style="list-style-type: none"> EZ-SCREEN Receivers w/8-pin mini-style QD (Point & Grid) DUO-TOUCH SG Run Bar EZAC Box w/8-pin mini-style QD
	7.62 m	QDS-825C				
	15.2 m	QDS-850C				
	22.9 m	QDS-875C				

Communication Cordsets

Style	Length	Model	Cable Diameter	Dimensions (mm)	Pinout	Used With
5-Pin M12/ Euro-Style, Straight	1.83 m	MQDMC-506	5.60 mm		Male  1 = Brown 2 = White 3 = Blue 4 = Black 5 = Gray	<ul style="list-style-type: none"> EZ-ARRAY to INTUSB485-1 USB Serial Adapter
	4.57 m	MQDMC-515				
	9.14 m	MQDMC-530				
5-Pin M12/ Euro-Style, Right-Angle	1.83 m	MQDMC-506RA	5.60 mm		Male  1 = Brown 2 = White 3 = Blue 4 = Black 5 = Gray	<ul style="list-style-type: none"> EZ-ARRAY to INTUSB485-1 USB Serial Adapter
	4.57 m	MQDMC-515RA				
	9.14 m	MQDMC-530RA				

BNC Coaxial Video Cordsets

Style	Length	Model	Cable Diameter	Dimensions (mm)	Pinout	Used With
Video Coaxial with BNC	1.83 m	BNC06	6.00 mm		Male 	<ul style="list-style-type: none"> Pro P4
	4.57 m	BNC15				
	9.14 m	BNC30				
	14.6 m	BNC48				

DB9 Communication Cordsets

Style	Length	Model	Cable Diameter	Dimensions (mm)	Pinout	Used With
Male DB9/ Female DB9	1.83 m	DB9P06	6.00 mm		Male Female 	• Pro
	4.57 m	DB9P15				
	9.14 m	DB9P30				
Male DB9/ Female DB9	3.00 m	AG4-PCD9-3	5.00 mm		Female Male 	• AG4
	5.00 m	AG4-PCD9-5				
	10.0 m	AG4-PCD9-10				
Male DB9/USB	1.00 m	AG4-PCD9USB-1	4.6 mm		Male USB 	• AG4 Serial-to USB Adapter
Male DB9/ Female DB9	2.00 m	MASC	5.00 mm		Female Male 	• MINI-ARRAY • High-Resolution MINI-ARRAY 2 = Transmit (TX) 3 = Receive (RX) 5 = Ground (GRD)

DB15 Configuration/Machine Interface Cordsets

Style	Length	Model	Cable Diameter	Dimensions (mm)	Pinout	Used With
DB15	5.00 m	AG4-CPD15-5	8.50 mm		Female 	• AG4
	10.0 m	AG4-CPD15-10				
	25.0 m	AG4-CPD15-25				
	50.0 m	AG4-CPD15-50				

RJ45 Ethernet Cordsets

Style	Length	Model	Cable Diameter	Dimensions (mm)	Pinout	Used With
Cat5e Shielded	2.13 m	STP07	6.80 mm		Male 	• Pro • P4 • SC22-3E
Cat5e Crossover Shielded		STPX07				
Cat5e Shielded	7.62 m	STP25				
Cat5e Crossover Shielded		STPX25				
Cat5e Shielded	15.2 m	STP50				
Cat5e Crossover Shielded		STPX50				
Cat5e Shielded	22.9 m	STP75				
Cat5e Crossover Shielded		STPX75				

RJ45 Ethernet to 4-Pin Threaded M8/Pico-Style Cordsets

Style	Length	Model	Cable Diameter	Dimensions (mm)	Pinout	Used With
Cat5e Shielded	2.00 m	IVUC-E-406	6.00 mm		Male Female 	• iVu Plus
	5.00 m	IVUC-E-415				
	9.00 m	IVUC-E-430				
	16.0 m	IVUC-E-450				
	23.0 m	IVUC-E-475				

RJ45 Ethernet to 8-Pin Threaded M12/Euro-Style Cordsets

Style	Length	Model	Cable Diameter	Dimensions (mm)	Pinout	Used With
Cat5e Shielded	1.83 m	STP-MAQDC-806	7.90 mm		Male Male 	• IP68 Sealed P4
	4.57 m	STP-MAQDC-815				
	9.14 m	STP-MAQDC-830				

QD End-Caps

Replace or convert EZ-SCREEN Grid and Point hard-wire terminal chamber end cap to QD model.

Style	Model	Dimensions	Used With
8-pin Euro QD	EZA-QDE-8E	Converts terminal chamber end cap to QD model	• EZ-SCREEN Emitters w/Terminal Chamber (Point & Grid)
8-pin Euro QD	EZA-QDR-8E		• EZ-SCREEN Receivers w/Terminal Chamber (Point & Grid)

Unterminated Bulk Cable

Cable: PVC jacket
 Conductors: 20 AWG, PVC insulation
 Voltage Rating: 250V ac/300V dc
 Temperature: -40° to +80° C

Length	Models	Dimensions	Used With
7.6 m	UTB-325C	3-conductor (Brown, Blue, Green/Yellow)	• EZ-SCREEN Emitters w/Terminal Chamber (Point & Grid) • EZAC Interface Boxes
15.2 m	UTB-350C		
30.4 m	UTB-3100C		
76.2 m	UTB-3250C		
7.6 m	UTB-525C	5-conductor (Black, Blue, Brown, White, Green/Yellow)	• EZ-SCREEN Emitters w/Terminal Chamber & TEST (Point & Grid) • EZAC Interface Boxes
15.2 m	UTB-550C		
30.4 m	UTB-5100C		
76.2 m	UTB-5250C		
7.6 m	UTB-825C	8-conductor (Brown, Orange/Black, Orange, White, Black, Blue, Violet, Green/Yellow)	• EZ-SCREEN Receivers w/Terminal Chamber (Point & Grid) • EZAC Interface Boxes • DUO-TOUCH SG Run Bars
15.2 m	UTB-850C		
30.4 m	UTB-8100C		
76.2 m	UTB-8250C		

Limited Warranty

Banner Engineering Corp. warrants its products to be free from defects in material and workmanship for one year following the date of shipment. Banner Engineering Corp. will repair or replace, free of charge, any product of its manufacture which, at the time it is returned to the factory, is found to have been defective during the warranty period. This warranty does not cover damage or liability for misuse, abuse, or the improper application or installation of the Banner product.

THIS LIMITED WARRANTY IS EXCLUSIVE AND IN LIEU OF ALL OTHER WARRANTIES WHETHER EXPRESS OR IMPLIED (INCLUDING, WITHOUT LIMITATION, ANY WARRANTY OF MERCHANTABILITY OR FITNESS FOR A PARTICULAR PURPOSE), AND WHETHER ARISING UNDER COURSE OF PERFORMANCE, COURSE OF DEALING OR TRADE USAGE.

This Warranty is exclusive and limited to repair or, at the discretion of Banner Engineering Corp., replacement. IN NO EVENT SHALL BANNER ENGINEERING CORP. BE LIABLE TO BUYER OR ANY OTHER PERSON OR ENTITY FOR ANY EXTRA COSTS, EXPENSES, LOSSES, LOSS OF PROFITS, OR ANY INCIDENTAL, CONSEQUENTIAL OR SPECIAL DAMAGES RESULTING FROM ANY PRODUCT DEFECT OR FROM THE USE OR INABILITY TO USE THE PRODUCT, WHETHER ARISING IN CONTRACT OR WARRANTY, STATUTE, TORT, STRICT LIABILITY, NEGLIGENCE, OR OTHERWISE.

BANNER®

Banner Engineering Corp. reserves the right to change, modify or improve the design of the product without assuming any obligations or liabilities relating to any product previously manufactured by Banner Engineering Corp.