

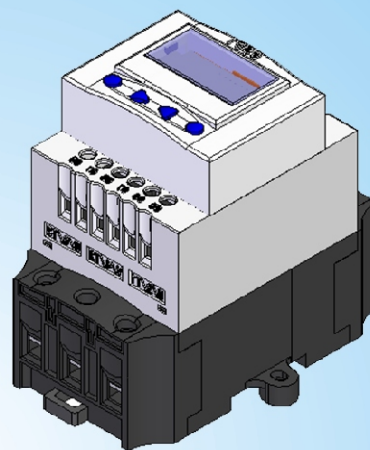


GSD1电动机保护器

GSD1 Motor Protection Breaker

——配电器产品名录 2013

安全 智能 环保



CE UL CCC TÜV CB RoHS
ISO9001 ISO14001 OHSAS18001

GSD1电动机保护器

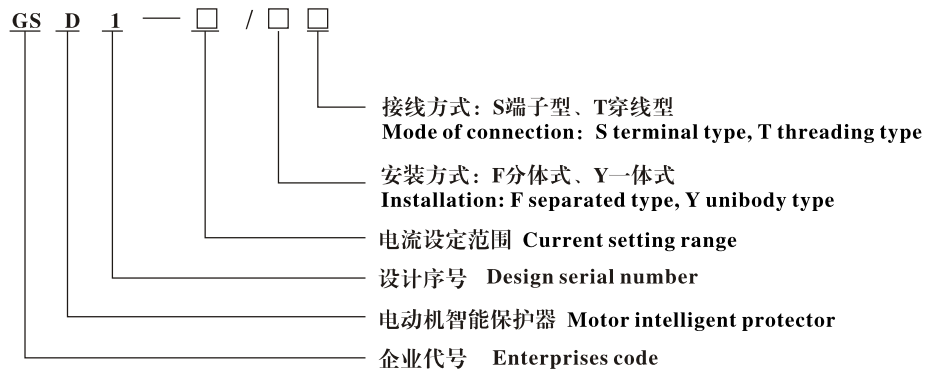
>> 用途 APPLICATION

GSD1电动机保护器适用于主回路交流50Hz或60Hz、电压至690V的电路中，与交流电动机回路中的断路器、接触器配合使用，作为三相电动机保护装置，具备对电动机的过载、欠载、过流、堵转、短路、三相电流不平衡、断相、相序、接地/漏电、启动超时等保护功能，同时用户可根据需要进行保护功能的选择和参数的设定。

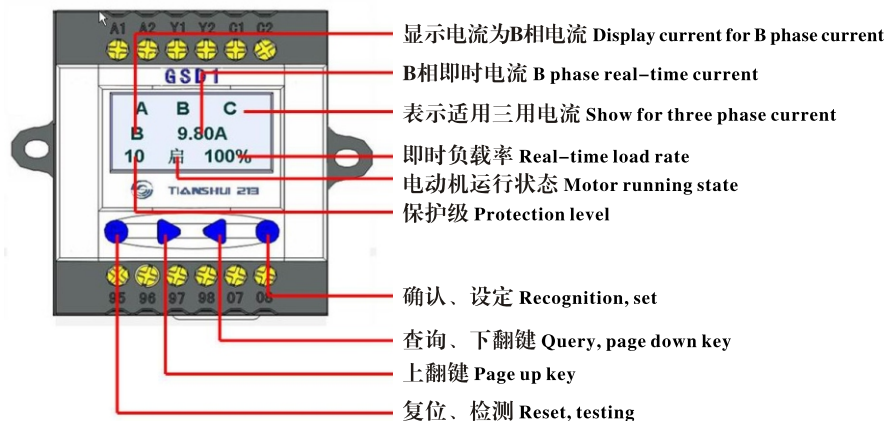
GSD1 motor protection breaker is suitable for main circuit AC 50Hz or 60Hz, voltage to 690v circuit, used together with circuit breaker and contactor of AC motor circuit, as a three phase motor protection device, with protection function to motor overload, underload, overcurrent, stall, short circuit, three phase current unbalance, phase failure, phase sequence, grounding/leakage, start timeout and so on, at the same time user can according to need for protection function selection and parameter setting.

>> 型号及含义 MODEL AND MEANING

■ 型号及含义 TYPE AND MEANING



>> 显示器按键及说明 DISPLAY BUTTONS AND DESCRIPTION



>> 产品特点 TERMINAL MARK

- 为中国人制造的汉显保护器 For Chinese manufacturing Chinese display protector
- 电动机运行状况的窗口 Motor running status window
- 电动机全面保护的卫士 The defenders of the comprehensive protection of motor
- 技术人员的智能助手 Technical personnel's intelligent assistant

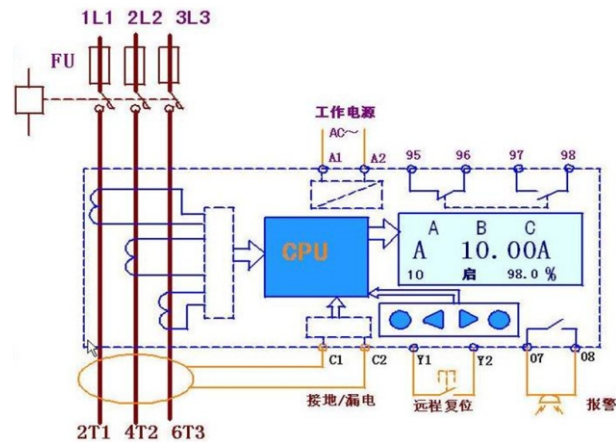
>> 技术参数 TECHNICAL PARAMETERS

规格 Specification	GSD1-6	GSD1-40	GSD1-120
额定电流 Rated current	1-6A	5-40A	40-120 A
穿芯导线 Through core wire	≤ φ7mm		≤ φ18mm
额定电压 Rated voltage	AC: 690V		
辅助工作电源电压 Auxiliary working power supply voltage	AC/DC: 36 ~ 220V		
辅助电路额定电压 Auxiliary circuit rated voltage	95/96、97/98 AC: 380V或DC: 110V; 07/08 AC: 220 V或DC: 110V;		
约定发热电流 Conventional thermal current	5A		
辅助电路接线能力 Auxiliary circuit wiring ability	0.5 ~ 2.5mm ²		
保护功能 Protection function			
电流检测 Current detection	按下翻键循环显示 Press page down key cycle display		
反时限过载保护 Inverse time limit overload protection	8个脱扣等级 (10A、10、15、20、25、30、35、40、) 8 Tripping level (10A、10、15、20、25、30、35、40、)		
定时限过载保护 Definite time-lag overload protection	定时限0 ~ 60 S Definite time-lag 0 ~ 60 S		
欠载保护 Underload protection	30% ~ 70% (可选择保护) 30% ~ 70% (Optional protection)		
堵转保护 Stall protection	200 ~ 600% (可选择保护) 200 ~ 600% (Optional protection)		
短路保护 Short circuit protection	500% ~ 1200% (可选择保护) 500% ~ 1200% (Optional protection)		
三相电流不平衡 Three phase current imbalance	(可选择保护) (Optional protection)		
断相 Phase failure	(可选择保护) (Optional protection)		
相序 Phase sequence	(可选择保护) (Optional protection)		
接地/漏电 Grounding/ leakage	(可选择保护) (Optional protection)		
启动超时 Start overtime	0 ~ 60S (可选择保护) 0 ~ 60S (Optional protection)		
报警 Warning	故障电流出现后, 保护动作前, 07/08触头每秒动作一次 Fault current appearing, before protection action, 07/08 contact action per second		

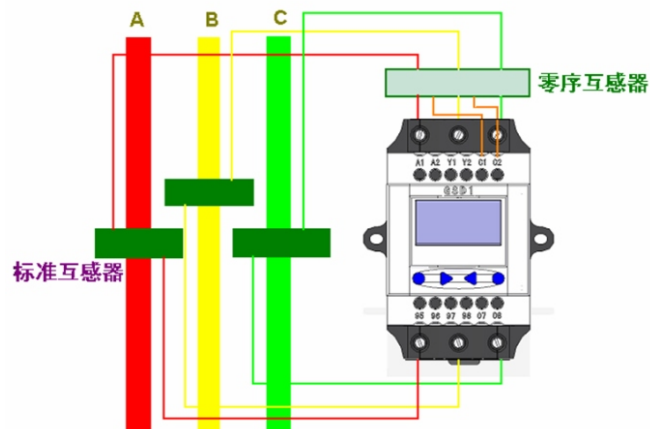
GSD1电动机保护器

显示 Display	显示3相电流，中文显示脱扣原因，显示实时负载率 Show three phase current, Chinese display tripping reasons, display real-time load rate
复位 Reset	手动/自动 Manual/Automatic
查询 Query	按查询键进入查询状态，循环显示序1~12的状态，并可查询前5 Press query key into query state, cycle display state of sequence 1 to 12, and can query the top five
故障显示 Fault indication	故障动作后显示故障类型，堆栈式顺序储存5次，并可查询 After fault movement display fault type, stack type sequential storage 5 times, and can inquire.
检测 Detection	上电后首先按检测按钮，保护和报警触头按预定时间发生转换 After power on first press test button, protection and alarming contacts conversions according to the scheduled time
远程复位 Remote reset	端子Y1、Y2外接开关，闭和后保护器由故障状态转换为正常状态 Terminal Y1, Y2 external switch, protector by fault state transition to normal state after closed

>> 接线端子标志 TERMINAL MARK

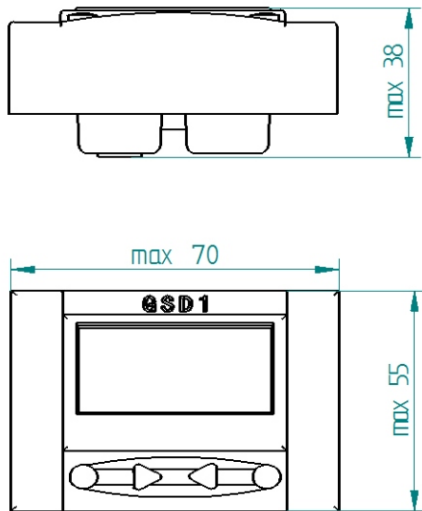


>> 电流扩展型 CURRENT EXTENDED TYPE

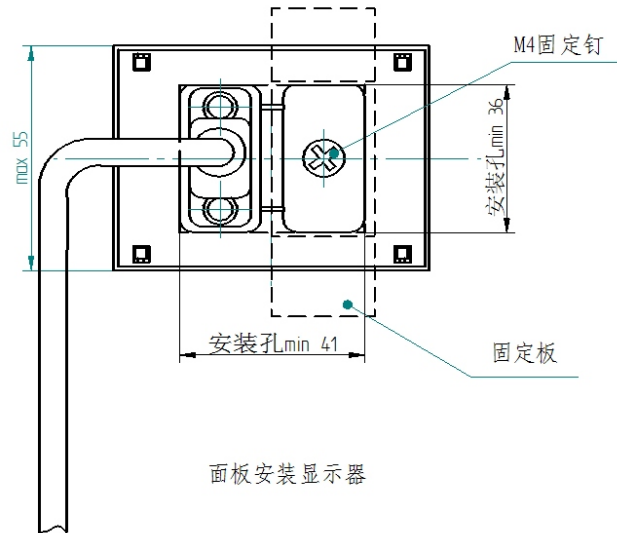


>> 外形及安装尺寸 (单位: mm)

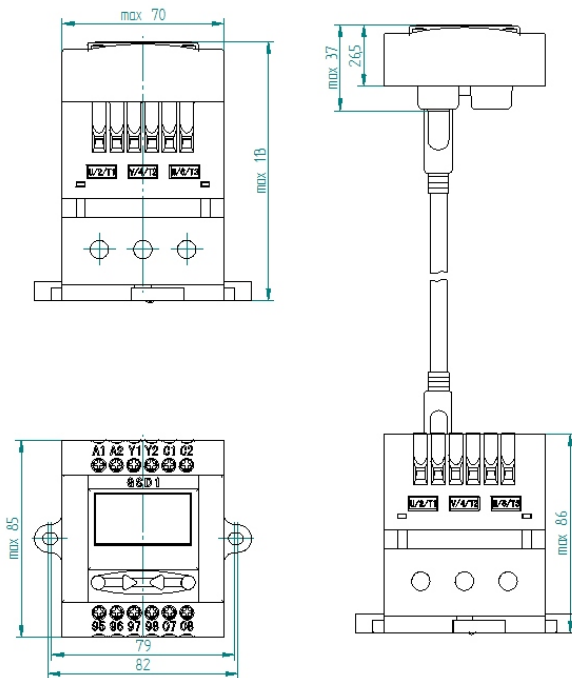
APPEARANCE AND INSTALLATION DIMENSIONS (UNIT: MM)



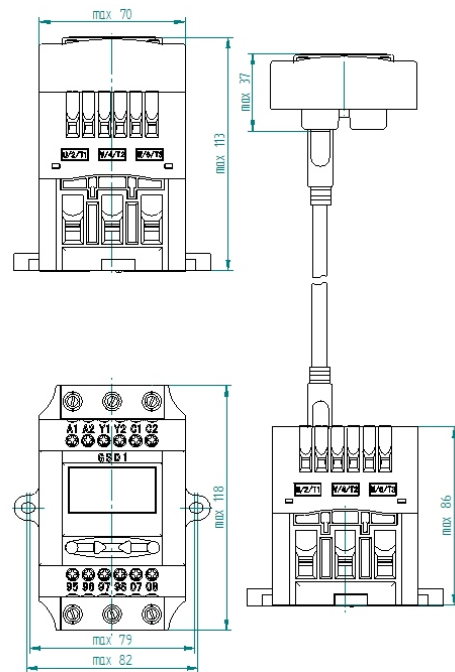
显示器 Display



显示器面板安装
Display panel installation

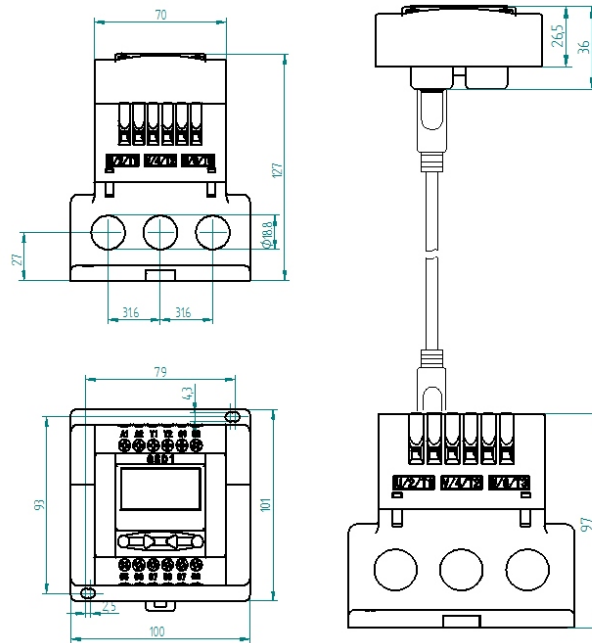


GSD1-6/40穿芯型
GSD1-6/40 Through core type



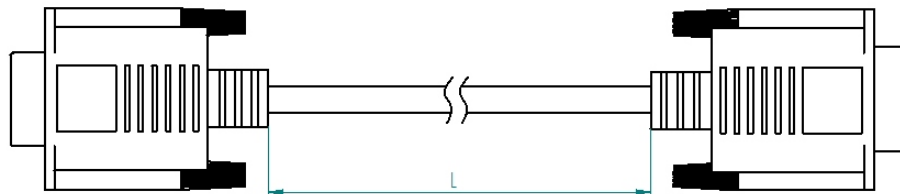
GSD1-6/40S端子型
GSD1-6/40 S Terminal type

GSD1电动机保护器



GSD1-120 T穿线型
GSD1-120 T Threading

连接器及连接线规格 Connector and connecting wire specifications



连接器规格Connector	20	60	100	200
长度Length L	0.2m	0.6m	1m	2m

>> 订货须知 ORDERING INSTRUCTION

■ 用户订货时必须指明电动机保护器的名称、型号、规格、安装方式、接线方式及数量。

When placing an order must specify name, model, specification, installation, mode of connection and quantity of motor protector.

△ 如：电动机保护器 GSD1-40 Y T 600只

For example: motor protector GSD1-40 Y T 600 sets

△ 表示：GSD1系列电动机保护器，电流设定最大值为40A，一体式安装，穿线型 600只。

Show: GSD1 series motor protector, current set for a maximum of 40A, unibody type installation, threading type 600 sets.