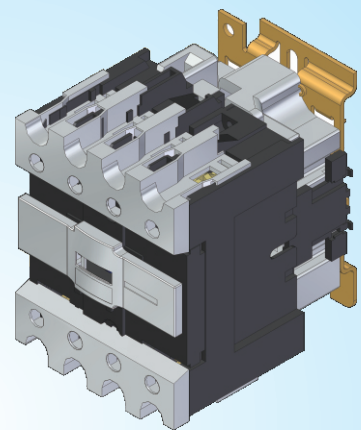


GSC1-0908 ~ 9508四极交流接触器

GSC1-0908 ~ 9508 4 Pole AC Contactor

——控制电器产品名录 2014

安全 智能 环保



CE UL CCC TÜV CB RoHS

ISO9001 ISO14001 OHSAS18001

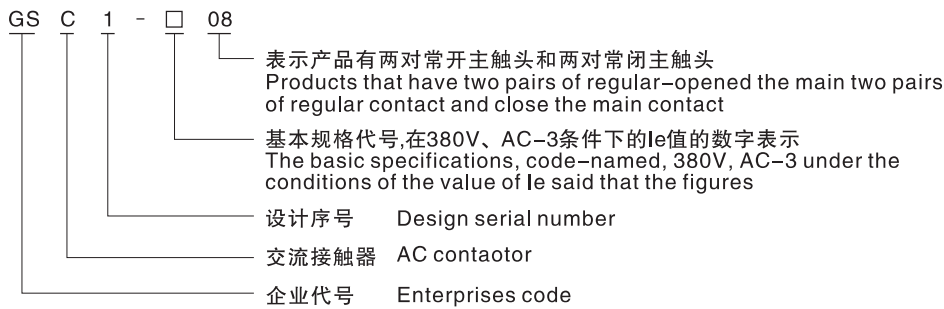
用途 APPLICATION

GSC1-0908~9508四极交流接触器，主要用于交流50Hz（或60Hz），额定绝缘电压为690V，额定工作电压至660V，在AC-1使用类别下额定工作电压为380V时，额定工作电流25A-125A的电路中，主要用于低感、微感或电阻炉负载，作电路切换之用。

GSC1-0908~9508 four pole AC contactor, is used in AC 50Hz (or 60Hz), rated insulation voltage is up to 690V, rated voltage 660V, and rated current is up to 25~125A under rated voltage 380V and category AC-1, mainly for switching circuit to low flu、micro-flu or resistance unload.

型号及含义 TYPE AND MEANING

■ 型号及含义 type and means



产品特点 PRODUCT FEATURE

■ 该系列产品为四极交流接触器，具有两对常开主触头和两对常闭主触头，用来实现电路的切换（电源切换或负载切换），用单台产品即可完成可靠切换；如果用普通的其它产品来达到电路切换的目的，需要两台在结构上有联锁功能的产品才能满足要求；这无论从价格还是从体积上，都超出了该系列产品。另外，该系列产品在正常工作时，控制回路不通电，实现了节能运行。所以该系列产品具有切换可靠，高性能和高经济技术指标等特点。

The series of products are four poles AC contactor, with two pairs of normally open main contact and two pairs normally closed main contact, for achieve switching circuit (power switching or load switching), the single product will complete switching reliably; if use ordinary products to achieve the purpose of switching circuit, need two reversing function products to meet the requirement, it will exceed four pole AC contactor from either in price or in volume. In addition, the control loop is not energized when four pole AC contactor in normal working hours, achieveing energy-saving operation. Therefore, four pole AC contactor characters are switching reliability、high performance and high economic technology indicators.

■ 接触器具有各种组合功能，除安装面外，其余各面均能加装附件，以扩展产品的使用功能。

Contactor have various combination funcations, inaddition the surface of installation, other side can be installed, to expand product function.

△ 接触器的两侧可加装辅助触头组

Can added auxiliary arrangement on both side of contactor;

△ 接触器的端面可加装辅助触头组或空气延时头

Can added auxiliary arrangement or air time-delay device on terminal side of contactor;

△ 接触器的线圈上还可加装过电压抑制器等功能模块。

Can added over-load suppressor function model.

工作条件和安装条件 WORKING AND INSTALLATION CONDITION

△ 周围空气温度-25℃~+60℃；

Ambient temperature: -25℃~+60℃;

△ 安装地点海拔不超过3000m；Elevation≤3000m；

△ 最高温度为+40℃时，空气的相对湿度为不超过85%，对于温度变化偶尔产生的凝露应采取特殊的措施；

Relative humidity is not exceeding 85% at the maximum ambient temperature +40℃. Should give consideration to the dews, which would appear due to temperature change;

△ 周围环境污染等级为“污染等级3”；pollution protection: Grade 3;

△ 产品安装类别为“安装类别III”；installing categories: class III

△ 产品安装面与垂直面的倾斜度不大于22.5°。

The tilt gradient between installation face and vertical face should ≤22.5°.

技术参数 TECHNICAL PARAMETERS

■ 产品符合的标准为：IEC60947, GB14048.4 The range product meet standard: IEC60947, GB14048.4

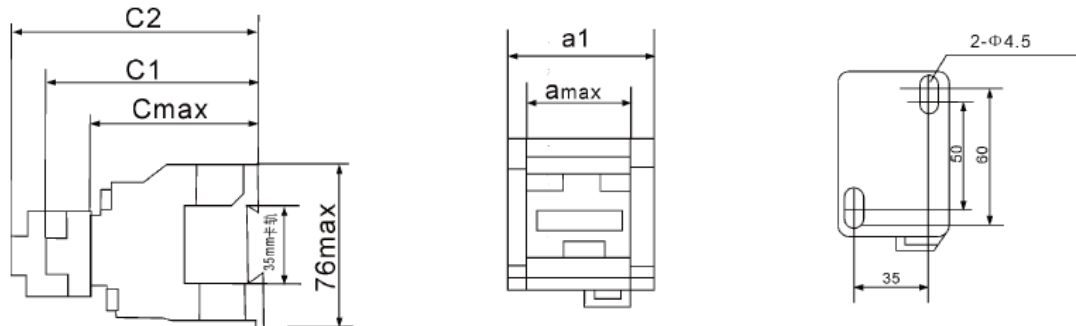
■ 主要技术参数见表1 main technical parameters as table 1

表(table)1

参数 character		型号 type	GSC1-0908	GSC1-1208	GSC1-1808	GSC1-2508	GSC1-4008	GSC1-5008	GSC1-6508	GSC1-8008	GSC1-9508
约定发热电流Ith: A Conventional thermal current			25	25	32	40	60	80	80	125	125
额定工作电压Ue: V Rated working voltage			380 660								
额定绝缘电压Ui: V Rated insulation voltage			690								
AC-1使用类别下额定 工作电流A Under AC-1		380V	25	25	32	40	60	80	80	125	125
AC-1	电寿命 (× 10 ⁴ 次) Life span of trip		50		50			10			
	操作频率 (次/h) Operation frequency		1200								
线圈 coil	额定控制电源电压Us: V Rated control voltage		24,48,110,220,380				36,110,220,380				
	吸合电压 pull voltage		0.85Us ~ 1.2Us				0.85Us ~ 1.1Us				
	释放电压 Release voltage		0.2Us ~ 0.75Us								
	线圈 功率 VA Coil power	吸合 pull 保持 protect	76		110		260				
机械寿命 (× 10 ⁴ 次) Machinery life trip			800		1000			300			

外形及安装尺寸图 OUTLINE DIMENSION AND MOUNTING DIMENSIONS

△ GSC1-0908/1208外形及安装尺寸图 Outline dimension and mounting dimensions



C:GSC1

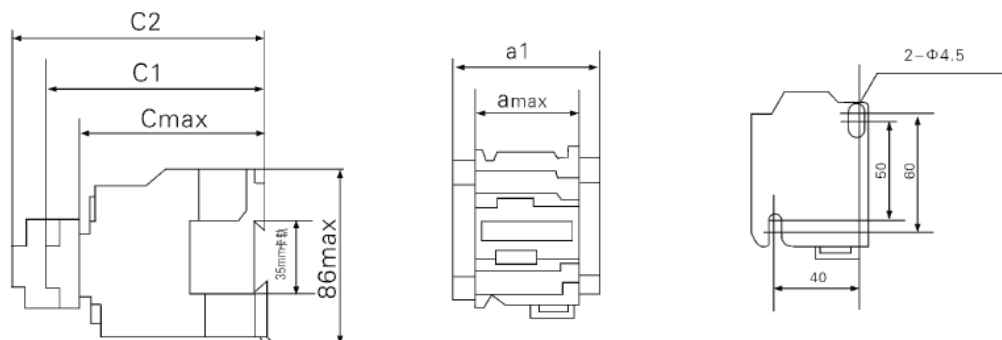
C1:GSC1+F3-d

C2:GSC1+SK4-2/3d

a1:GSC1+2(F3-d1)

型号 type	amax	Cmax	C1	C2	a1
GSC1-0908/1208	47	82	115	134	73

△ GSC1-1808/2508外形及安装尺寸图 Outline dimension and mounting dimensions



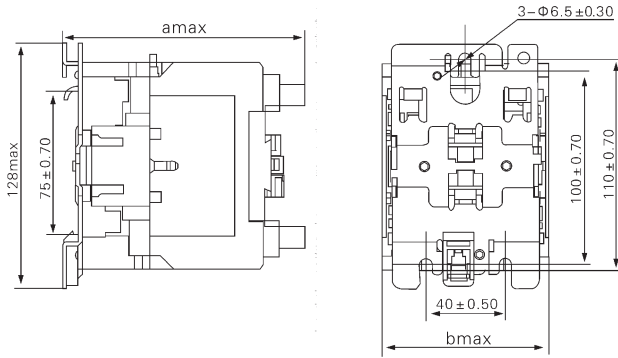
C:GSC1

C1:GSC1+F3-d (或F3-d2)

C2:GSC1+SK4-2/3d a1:GSC1+2(F3-d1)

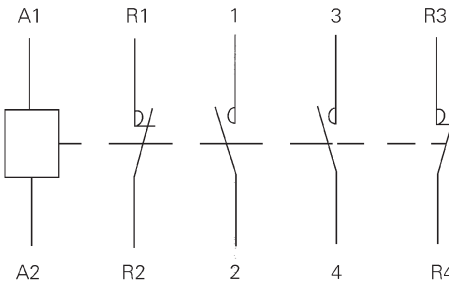
型号 type	amax	Cmax	C1	C2	a1
GSC1-1808/2508	59	97	130	149	85

△ GSC1-4008 ~ 9508外形及安装尺寸图
Outline dimension and mounting dimensions



型号 type	amax	bmax	备注 remark
GSC1-4008/5008/6508	126	86	也可用TH75-2 标准卡轨安装 Also can install by rail according standard TH75-2
GSC1-8008/9508	137	97	

接线图 WIRING PICTURE



△ 接线端子连接导线的能力见表2
connect lead capacity of wiring terminal as table 2

表(table)2

型号 type		GSC1-0908 1208		GSC1-1808 2508		GSC1-4008 5008 6508		GSC1-8008 9508	
导线根数 wire No.		1	2	1	2	1	2	1	2
接线端子可接线 Wiring terminal connect lead No.	软线mm ² soft wire	2.5	2.5	4	4	16	16	50	35
	硬线mm ² hard wire	4	4	6	6	25	-	50	-

订货须知 ORDER NOTICE

■ 在订货时指明下列事项： in order need attention following

- △ 接触器的全型号及名称 entitle type of contactor;
- △ 控制线圈的频率及电压 frequency and voltage of control coil;
- △ 订货数量 order volume

例如：四极交流接触器 GSC1-4008 220V, 50Hz/60Hz、10台。

Example:4 poles AC contactor GSC1-4008 220V, 50Hz/60Hz、10 sets.

表示为40A四极交流接触器、控制线圈的频率为50Hz/60Hz、电压为220V, 订货数量为10台。

Means:4 poles AC contactor 40A, control coil frequency 50Hz/60Hz、220V, order volume 10 sets.

- △ 特殊电压规格的产品，如用户需要可特殊订货。

Special voltage character product, can specially customize.